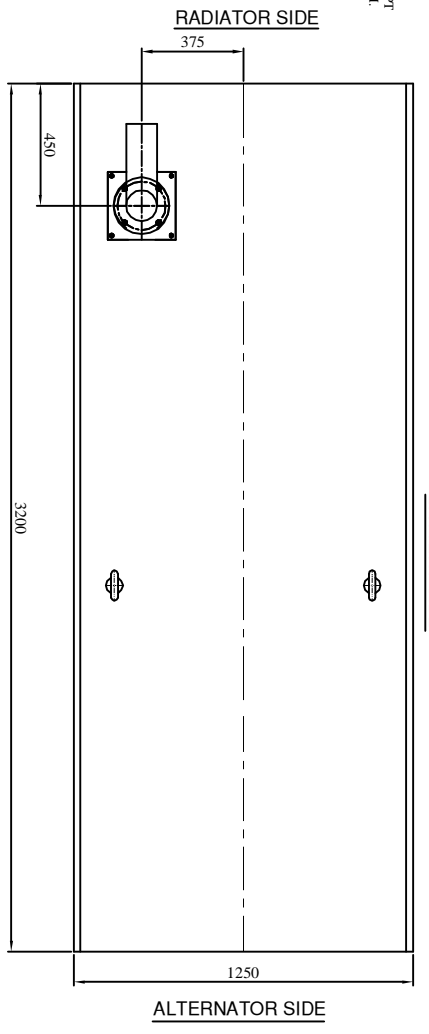


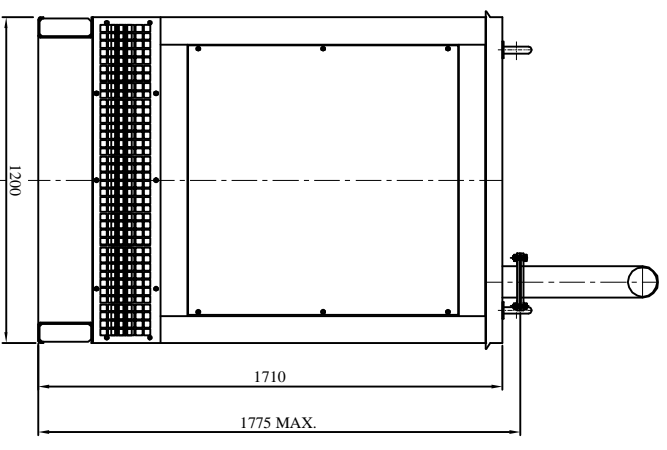
- NOTE:
1. 40 mm THICK & 40kg/m³ DENSITY FOAM GLUED TO ALL INSIDE FACES OF WALLS, DOORS, COLUMNS, RADIATOR/ALTERNATOR DUCTS, TOP/BOTTOM BEAMS, ROOF AND Baffle PLATES IN ALTERNATOR SIDE EXCEPT PINCH AREA.
 2. USE ONLY Zn WITH BLUE PASSIVATED FASTENERS.
 3. CANOPY PARTS SHALL BE POWDER COATED IN PE BLUE STRUCTURE FINISH EXCEPT ROOF, BASE FRAME AND PUNCH MESH WHICH ARE IN RAL 5000 STRUCTURE FINISH.
 4. SHEET THICKNESS FOR ALL CANOPY PARTS ARE IN 1.2mm THK CRCA SHEET.
 5. SHEET THICKNESS FOR ALL CANOPY PARTS ARE IN 1.2mm THK CRCA SHEET.
 6. ALL JOINTS BETWEEN ROOF, COLUMNS AND TOP BEAMS ARE SHALL BE PASTED WITH 40 mm WIDTH BY 3mm THICK NOISE INSULATING TAPE TO AVOID NOISE LEAKAGES.
 7. TOLERANCE ON OVERALL DIMENSIONS IS ± 20 mm.
 8. ALL DOORS RUBBER BEADING BOLT DIA. 12mm.
 9. ALL EXTERNAL FASTENERS, CANOPY LOCKS & HINGES ARE IN STAINLESS STEEL.



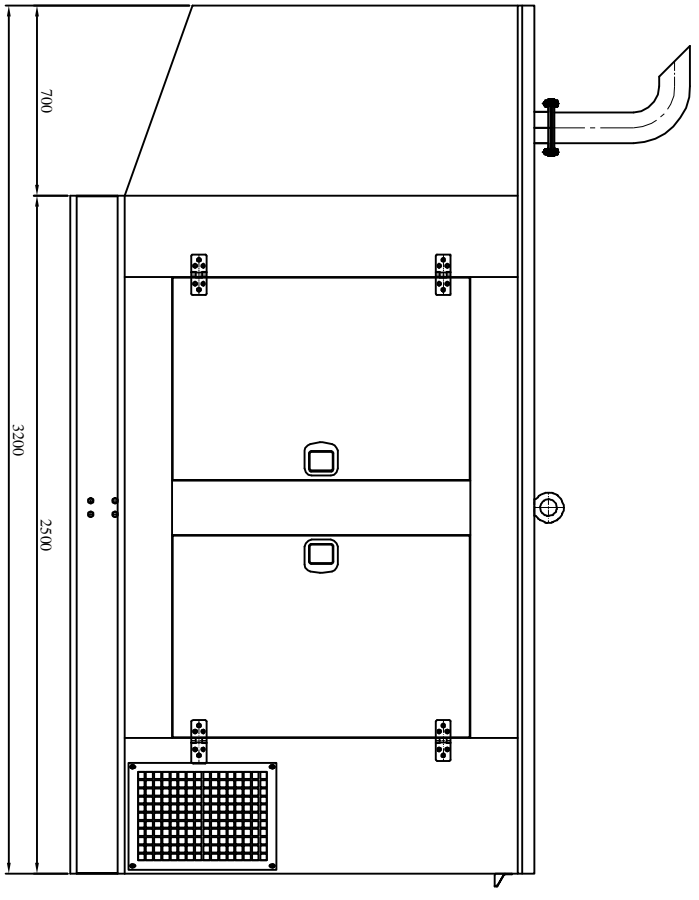
BATTERY SIDE

ALTERNATOR SIDE

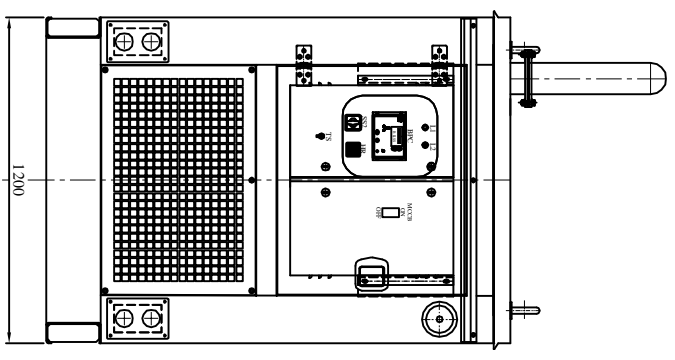
TOP VIEW



LH SIDE VIEW



FRONT VIEW



RH SIDE VIEW

REV	ZONE	DATE	NO.	BY	CHKD	DATE
1						
2						
3						
4						
5						
6						
7						

UNFINISHED TOLERANCES	±0.1	±0.2	±0.3	±0.4	±0.5	±0.6	±0.7	±0.8	±0.9	±1.0	±1.2	±1.5	±2.0	±3.0	±4.0	±5.0	±6.0	±8.0	±10.0
FINISHED TOLERANCES	±0.05	±0.1	±0.15	±0.2	±0.25	±0.3	±0.4	±0.5	±0.6	±0.7	±0.8	±1.0	±1.2	±1.5	±2.0	±3.0	±4.0	±5.0	±6.0

DATE	12/01/2024	SCALE	1:1
DRAWN BY	SK	CHECKED BY	SK
DESIGNED BY	SK	APPROVED BY	SK
PROJECT NO.	12502414R00/000	PROJECT NAME	KEC-C22-5-11 W/A DG SET.
DWG NO.	12502414R00/000	DWG TITLE	G.A. DRAWING OF ACOUSTIC DG SET 75-82.5 (W/A)MS
DATE	12/01/2024	SCALE	1:1
DRAWN BY	SK	CHECKED BY	SK
DESIGNED BY	SK	APPROVED BY	SK
PROJECT NO.	12502414R00/000	PROJECT NAME	KEC-C22-5-11 W/A DG SET.
DWG NO.	12502414R00/000	DWG TITLE	G.A. DRAWING OF ACOUSTIC DG SET 75-82.5 (W/A)MS

DATE	12/01/2024	SCALE	1:1
DRAWN BY	SK	CHECKED BY	SK
DESIGNED BY	SK	APPROVED BY	SK
PROJECT NO.	12502414R00/000	PROJECT NAME	KEC-C22-5-11 W/A DG SET.
DWG NO.	12502414R00/000	DWG TITLE	G.A. DRAWING OF ACOUSTIC DG SET 75-82.5 (W/A)MS
DATE	12/01/2024	SCALE	1:1
DRAWN BY	SK	CHECKED BY	SK
DESIGNED BY	SK	APPROVED BY	SK
PROJECT NO.	12502414R00/000	PROJECT NAME	KEC-C22-5-11 W/A DG SET.
DWG NO.	12502414R00/000	DWG TITLE	G.A. DRAWING OF ACOUSTIC DG SET 75-82.5 (W/A)MS