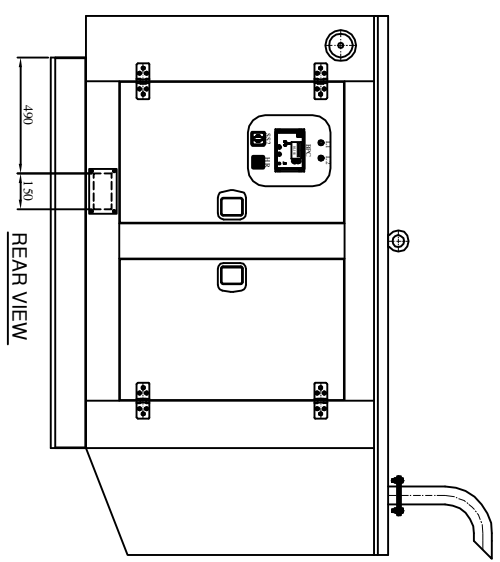
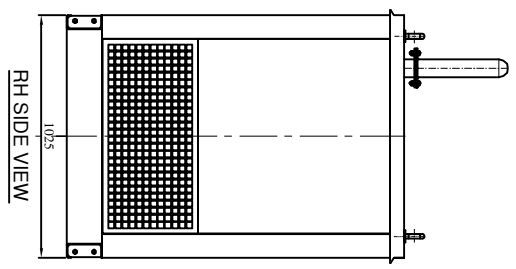
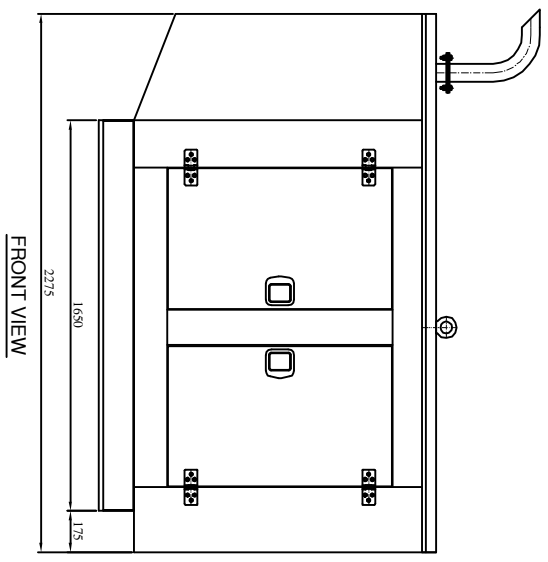
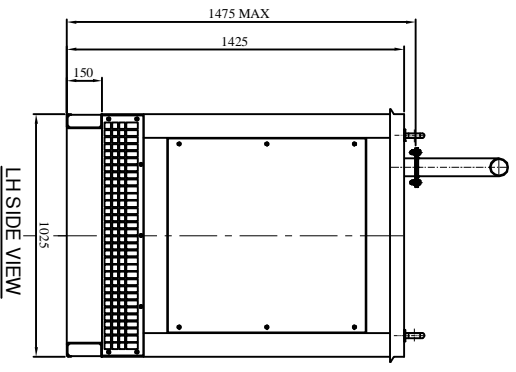


- NOTE:
1. 25 mm THICK & 26K_{g/m}³ DENSITY FOAM GLUED TO ALL INSIDE FACES OF WALLS, DOORS, COLLUMNS, RADIATOR/ALTERNATOR DUCTS, TOP/BOTTOM BEAMS, ROOF AND BAFFLE PLATES IN ALTERNATOR SIDE EXCEPT PUNCH AREA.
 2. USE ONLY Z₆₀ WITH BLUE PASSIVATED FASTNERS.
 3. CANOPY PARTS SHALL BE POWDER COATED IN PE BLUE STRUCTURE FINISH EXCEPT ROOF, BASE FRAME AND PUNCH MESH WHICH ARE IN GALV. 500 STRUCTURE FINISH.
 4. SHEET THICKNESS FOR ALL CANOPY PARTS ARE IN 1.2mm THK. CRCA SHEET.
 5. SHEET MATL. FOR PRESSED CHANNELS IN MAIN FRAME CRCA 3mm & HR 4mm THK.
 6. ALL JOINTS BETWEEN ROOF, COLLUMNS AND TOP BEAMS ARE SHALL BE PASTED WITH 25 mm WIDTH BY 3mm THICK NOSE INSULATING TAPE TO A VOID NOISE LEAKAGES.
 7. TOLERANCE ON OVERALL DIMENSIONS IS ±20mm.
 8. ALL DOORS RUBBER BEADING BULB DIA. 12mm.
 9. ALL EXTERNAL FASTNERS, CANOPY LOCKS & HINGES ARE IN STAINLESS STEEL.



REV.	ZONE	CHG. NO.	DESCRIPTION	DATE
7				
6				
5				
4				

UNDIMENSIONED TOLERANCES	FINISH	SCALE	DATE
±0.25	AS SHOWN	1:1	
±0.125	AS SHOWN	1:1	
±0.0625	AS SHOWN	1:1	
±0.03125	AS SHOWN	1:1	
±0.015625	AS SHOWN	1:1	
±0.0078125	AS SHOWN	1:1	

DATE	BY	CHECKED	APPROVED

ITEM	DESCRIPTION	QTY	UNIT
1
2
3
4
5
6
7
8
9
10
11
12
13
14
15
16
17
18
19
20
21
22
23
24
25
26
27
28
29
30
31
32
33
34
35
36
37
38
39
40
41
42
43
44
45
46
47
48
49
50

ITEM	DESCRIPTION	QTY	UNIT
1
2
3
4
5
6
7
8
9
10
11
12
13
14
15
16
17
18
19
20
21
22
23
24
25
26
27
28
29
30
31
32
33
34
35
36
37
38
39
40
41
42
43
44
45
46
47
48
49
50

DATE	BY	CHECKED	APPROVED

ITEM	DESCRIPTION	QTY	UNIT
1
2
3
4
5
6
7
8
9
10
11
12
13
14
15
16
17
18
19
20
21
22
23
24
25
26
27
28
29
30
31
32
33
34
35
36
37
38
39
40
41
42
43
44
45
46
47
48
49
50

