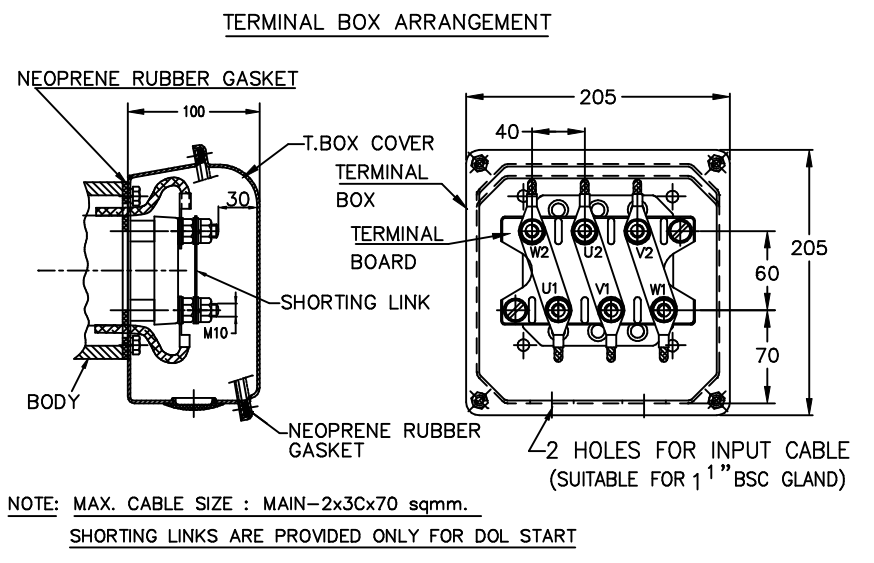
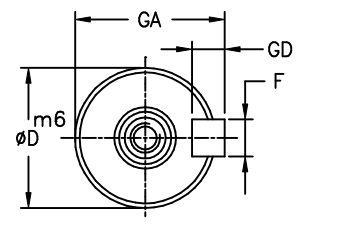


- NOTE :**
- DIMENSIONS ARE AS PER IS:1231 & 2223.
  - DEGREE OF PROTECTION / COOLING: IP:55/IC:411.
  - TERMINAL BOX CAN BE ROTATABLE THROUGH 360° IN STEPS OF 90°.
  - KEY & KEYWAY ARE AS PER IS:2048 & TOLERANCE ON KEYWAY IS P9.
  - PROTECTED CENTRE HOLE AT SHAFT EXTENSION AS PER IS:2540.-M20x40 deep.
  - \* OPTIONAL INCASE OF DOUBLE SHAFT EXTENSION
  - \*\* OPTIONAL INCASE OF RHS T.BOX
  - UNLESS OTHERWISE SPECIFIED TERMINAL BOX LOCATION WILL BE ON TOP SIDE WITH SINGLE SHAFT EXTENSION

4, 6, 8	60	64	11	18	140	855	993
2	55	59	10	16	110	825	933
POLE	ØD	GA	GD	F	E	L	LC



IF IN DOUBT ASK ENGINEERING  
 ALL INFORMATION CONTAINED IN THIS DOCUMENT IS CONFIDENTIAL AND THE PROPERTY OF KIRLOSKAR ELECTRIC CO. LTD. REPRODUCTION OF THESE IN ANY FORM IS TO BE DONE WITH THE SPECIFIC PERMISSION OF THE COMPANY.  
 SIGN & DATE: -- --  
 FROM dt. -- --  
 DRAWING No. -- --  
 REV. ZONE BRIEF RECORD SIGNATURE DATE PRINTS ISSUED TO.  
 THIS SUPERSEDES THIS IS SUPERSEDED BY

ITEM/TAG No.			
RATING	PROJECT :		
CABLE SIZE	CONSULTANT		JOB No.
REV.	ZONE	BRIEF RECORD	SIGNATURE DATE PRINTS ISSUED TO.
CUSTOMER / O/A No.		SCALE	DRAWN SPC 22.6.2016
USED ON / TYPE		NTS	CHECKED Vishnu.S.H 22.6.2016
TITLE:			APPROVED RNV 22.6.2016
DIMENSION SHEET			DRG. NO. KHD61583
KIRLOSKAR ELECTRIC COMPANY LTD. HUBLI - 580 030 (INDIA)			SHEET NO.....ONE..... OF.....ONE.....