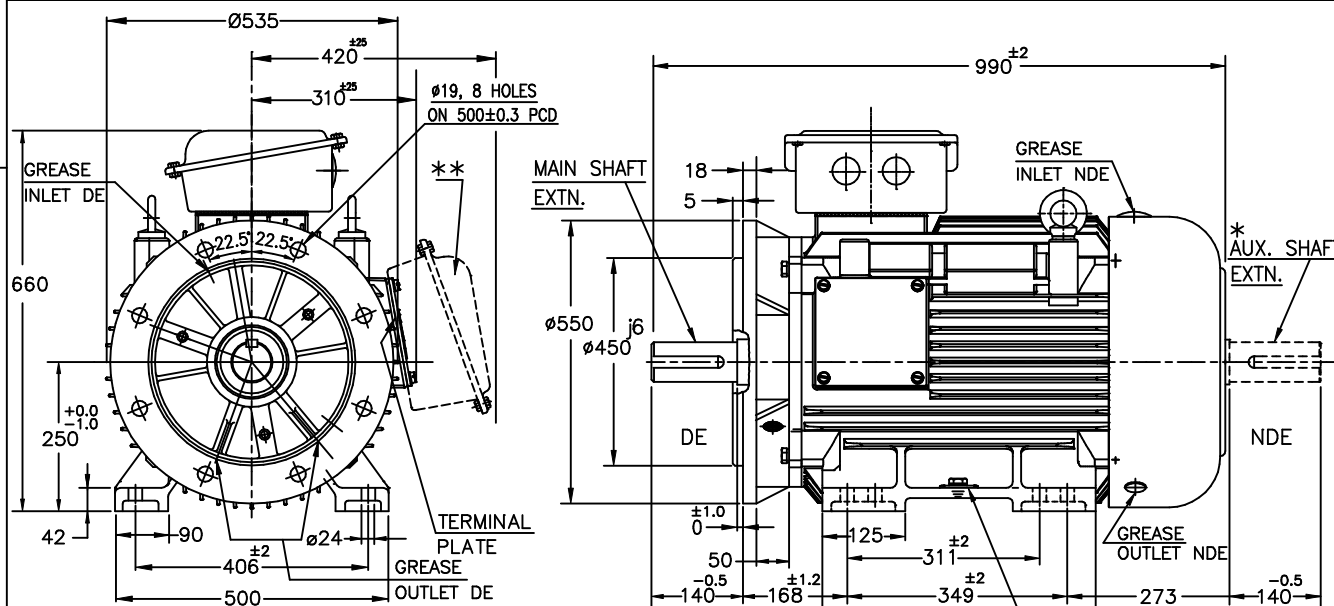


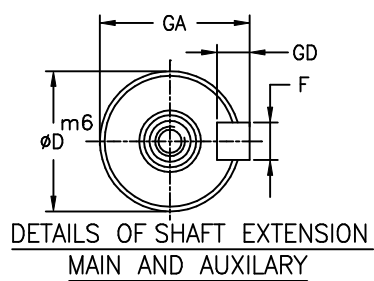
4 3 2 1
DO NOT SCALE THE DRAWING ALL DIMENSIONS ARE IN mm UNLESS OTHERWISE STATED

IF IN DOUBT ASK
ENGINEERING



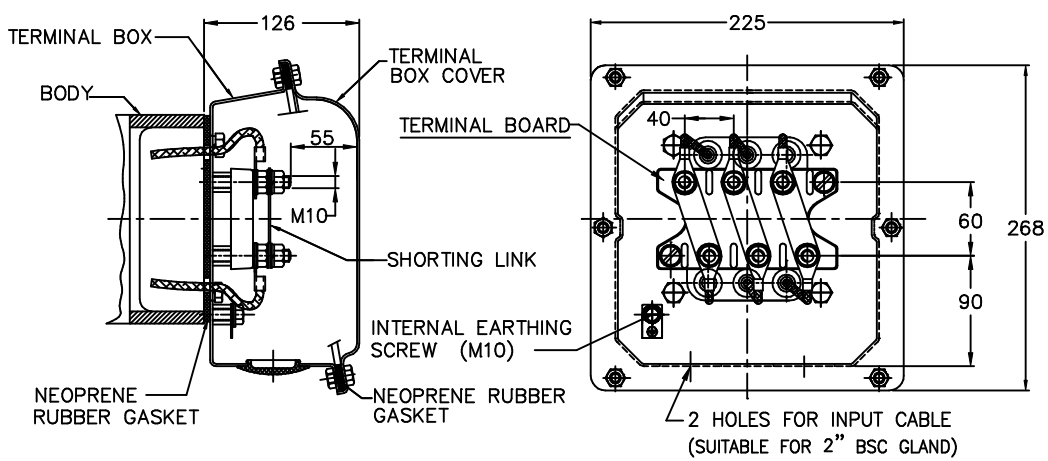
- NOTE :**
1. DIMENSIONS ARE AS PER IS:1231 & 2223.
 2. DEGREE OF PROTECTION / COOLING: IP: 55/IC: 411.
 3. TERMINAL BOX CAN BE ROTATABLE THROUGH 360° IN STEPS OF 90°.
 4. KEY & KEYWAY ARE AS PER IS:2048 & TOLERANCE ON KEYWAY IS P9.
 5. PROTECTED CENTRE HOLE AT SHAFT EXTENSION AS PER IS:2540.-M20x40 deep.
 6. * OPTIONAL INCASE OF DOUBLE SHAFT EXTENSION
 7. ** OPTIONAL INCASE OF RHS T.BOX
 8. UNLESS OTHERWISE SPECIFIED TERMINAL BOX LOCATION WILL BE ON TOP SIDE WITH SINGLE SHAFT EXTENSION

4, 6 & 8	65	18	69	11
2	60	18	64	11
POLE	D	F	GA	GD



ALL INFORMATION CONTAINED IN THIS DOCUMENT IS CONFIDENTIAL AND THE PROPERTY OF KIRLOSKAR ELECTRIC CO. LTD. REPRODUCTION OF THESE IN ANY FORM IS TO BE DONE WITH THE SPECIFIC PERMISSION OF THE COMPANY.

TERMINAL BOX ARRANGEMENT



NOTE: -1. MINIMUM ELECTRICAL CLEARANCE AND CREEPAGE DISTANCES ARE AS PER BS: 4999, PART-145.
MAX. CABLE SIZE : MAIN- 2 x 3.5C x 185 sq.mm, AYFY

SIGN & DATE

FROM dt. DRAWING No.

ITEM/TAG No.			
RATING	PROJECT :		
CABLE SIZE	CONSULTANT	JOB No.	
REV.	ZONE	BRIEF RECORD	SIGNATURE DATE PRINTS ISSUED TO.

THIS SUPERSEDES THIS IS SUPERSEDED BY

CUSTOMER / O/A No.	SCALE NTS	DRAWN SPC 22.6.2016	
USED ON / TYPE FBRC250SM (2, 4, 6 & 8 POLE, DOUBLE ENTRY)		CHECKED Vishnu.S.H 22.6.2016	
TITLE: DIMENSION SHEET		APPROVED RNV 22.6.2016	
		DRG. NO. KHD61345	
		SHEET NO.....ONE..... OF.....ONE.....	