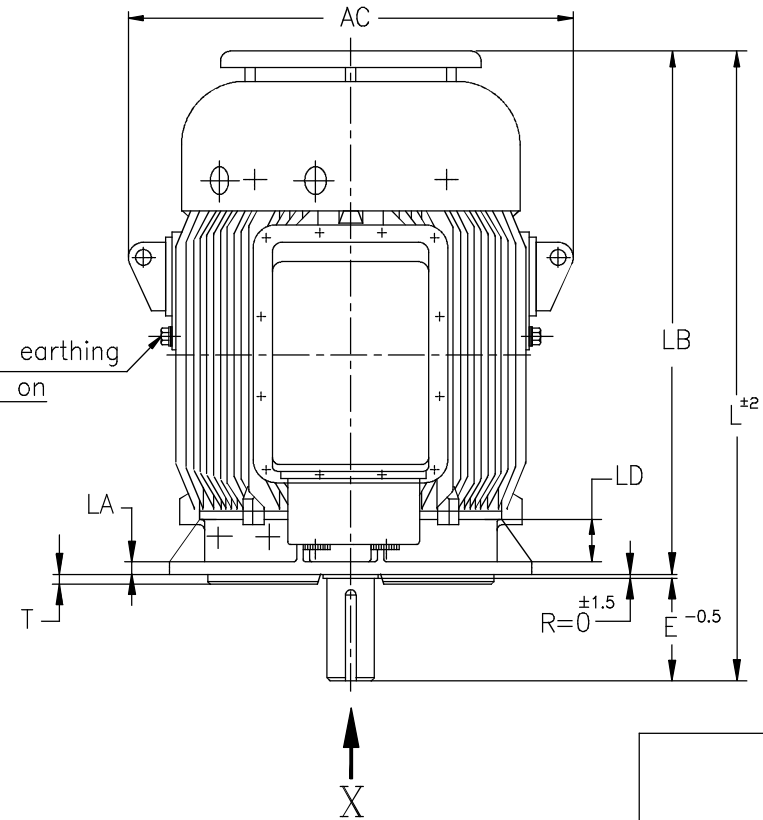
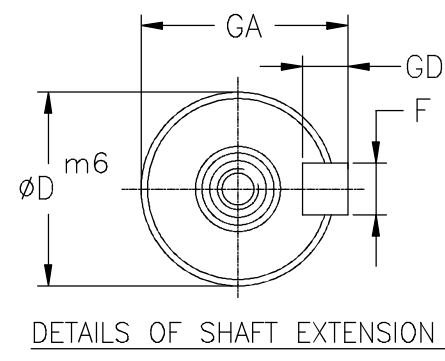


M12, 2nos. earthing screws one on each side.



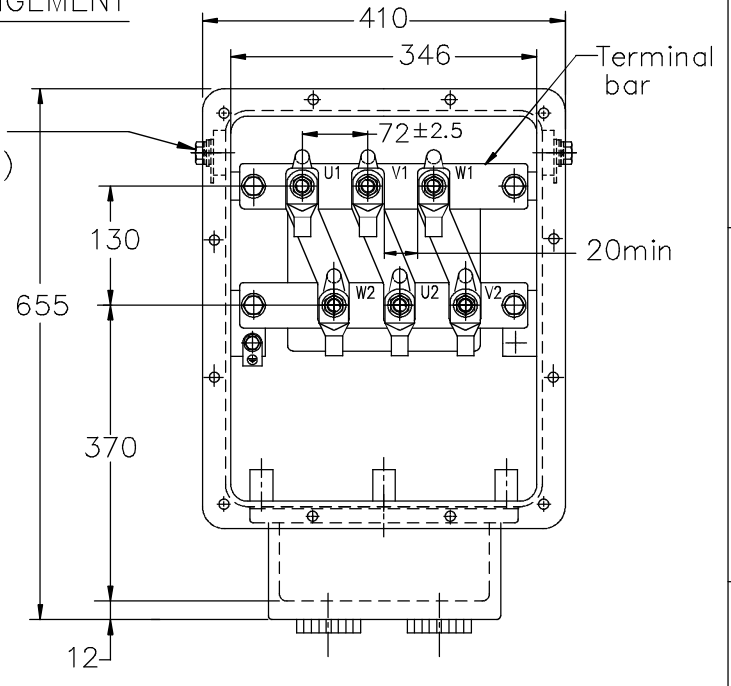
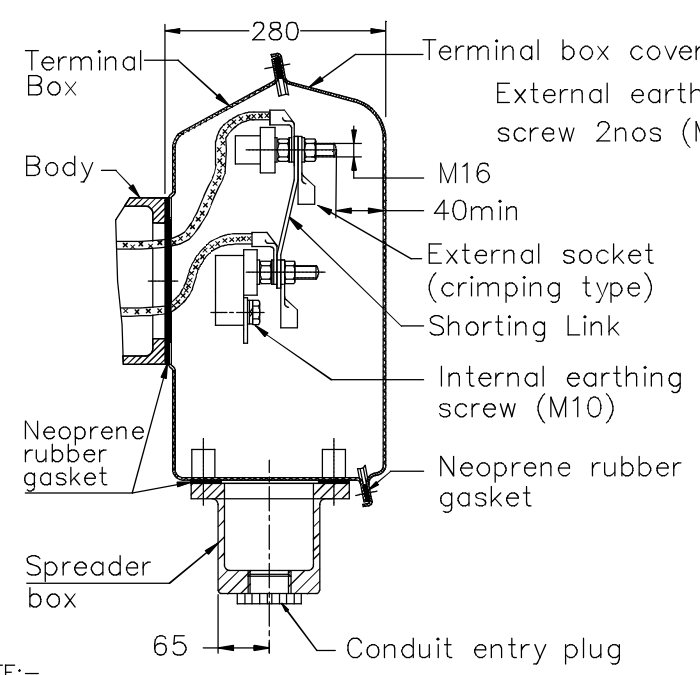
NOTE :

1. DIMENSIONS ARE AS PER IS:1231 & IS:2223 TYPE 'B' FLANGE
2. DEGREE OF PROTECTION / COOLING: IP:55/IC:411.
3. TERMINAL BOX CAN BE ROTATABLE THROUGH 360° IN STEPS OF 90°.
4. KEY & KEYWAY ARE AS PER IS:2048 & TOLERANCE ON KEYWAY IS P9.
5. PROTECTED CENTRE HOLE AT SHAFT EXTENSION AS PER IS:2540. M20X40 DEEP



4,6&8	900	605	80	170	22	85	14	9	1350	24	1180	58	600	550	660	0	24	6
2	900	605	65	140	18	69	11	7	1320	24	1180	58	600	550	660	0	24	6
POLE	AC	AD	D	E	F	GA	GD	GE	L	LA	LB	LD	M	N	P	R	S	T

TERMINAL BOX ARRANGEMENT



- NOTE:-
1. MINIMUM ELECTRICAL CLEARANCE AND CREEPAGE DISTANCES ARE AS PER BS:4999, PART-145.
 2. MAX. CABLE SIZE:- 2 OF 3 C x 240 Sq.mm AYFY.

REF. : KHD57281

ITEM/TAG No.		PROJECT :		JOB No.	
RATING		CONSULTANT		CUSTOMER / O/A No.	
CABLE SIZE				SCALE	
				DRAWN SPC 3.8.2016	
				CHECKED VSH 3.8.2016	
				APPROVED RNV 3.8.2016	
REV.		ZONE		BRIEF RECORD	
				SIGNATURE DATE	
		ALL INFORMATION CONTAINED IN THIS DOCUMENT IS CONFIDENTIAL AND THE PROPERTY OF KIRLOSKAR ELECTRIC CO. LTD. REPRODUCTION OF THESE IN ANY FORM IS TO BE DONE WITH THE SPECIFIC PERMISSION OF THE COMPANY.		DRAWING No. FROM DT. SIGN & DATE.	
PRINTS ISSUED TO		THIS IS SUPERSEDED BY		TITLE: VRC315 (DOUBLE ENTRY, WITHOUT GLAND)	
				DIMENSION SHEET	
				KHD61335	
				SHEET NO. ONE OF ONE	
				KIRLOSKAR ELECTRIC COMPANY LTD. HUBLI - 580030 (INDIA)	