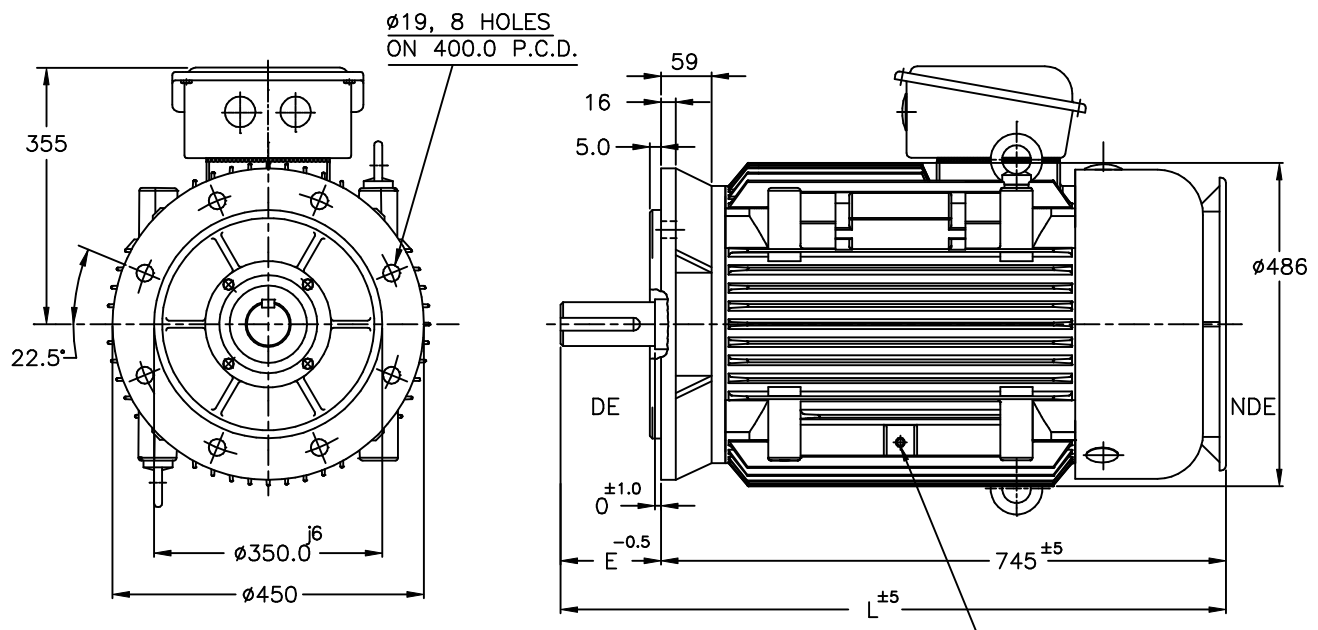


IF IN DOUBT ASK  
ENGINEERING



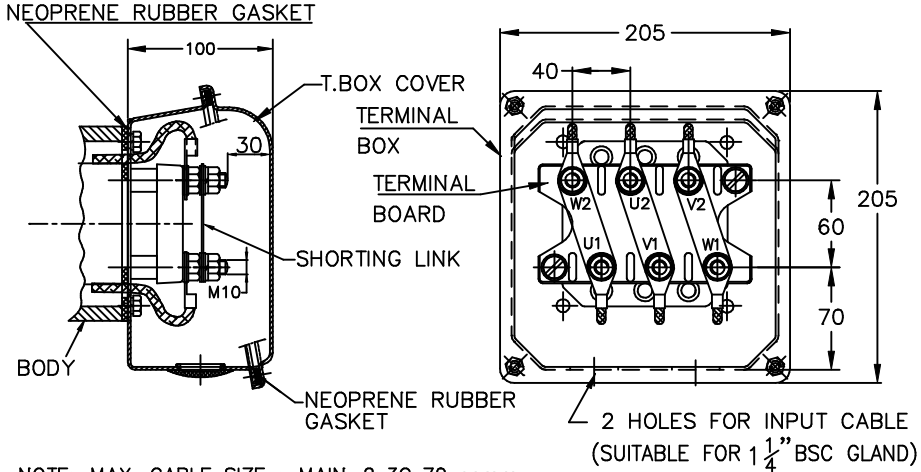
- NOTE :**
1. DIMENSIONS ARE AS PER IS: 2223,1231
  2. DEGREE OF PROTECTION: IP:55.
  3. TERMINAL BOX CAN BE ROTATABLE THROUGH 360° IN STEPS OF 90°.
  4. KEY & KEYWAY ARE AS PER IS:2048 & TOLERANCE ON KEYWAY IS P9.
  5. PROTECTED CENTRE HOLE AT SHAFT EXTENSION AS PER IS:2540.-M20X40

4, 6, 8	60	140	64	11	18	885
2	55	110	59	10	16	855
POLE	ØD	E	GA	GD	F	L

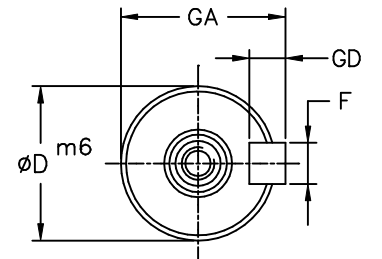
M10 EARTHING SCREWS  
2Nos., 1No. PER SIDE

ALL INFORMATION CONTAINED IN THIS DOCUMENT IS CONFIDENTIAL AND THE PROPERTY OF KIRLOSKAR ELECTRIC CO. LTD. REPRODUCTION OF THESE IN ANY FORM IS TO BE DONE WITH THE SPECIFIC PERMISSION OF THE COMPANY.

**TERMINAL BOX ARRANGEMENT**



**NOTE:** MAX. CABLE SIZE : MAIN-2x3Cx70 sqmm.  
SHORTING LINKS ARE PROVIDED ONLY FOR DOL START



**DETAILS OF SHAFT EXTENSION**

SIGN & DATE

FROM dt.

DRAWING No.

THIS SUPERSEDES  
THIS IS SUPERSEDED BY

ITEM/TAG No.			
RATING			PROJECT :
CABLE SIZE			CONSULTANT
			JOB No.

REV.	ZONE	BRIEF RECORD	SIGNATURE	DATE	PRINTS ISSUED TO.
CUSTOMER / O/A No.		SCALE	DRAWN	SPC	18.6.2016
USED ON / TYPE		NTS	CHECKED	Vishnu.S.H	18.6.2016
TITLE:			APPROVED	RNV	18.6.2016
DIMENSION SHEET			DRG. NO.	KHD61191	
KIRLOSKAR ELECTRIC COMPANY LTD. HUBLI - 580 030 (INDIA)			SHEET NO.....ONE..... OF.....ONE.....		