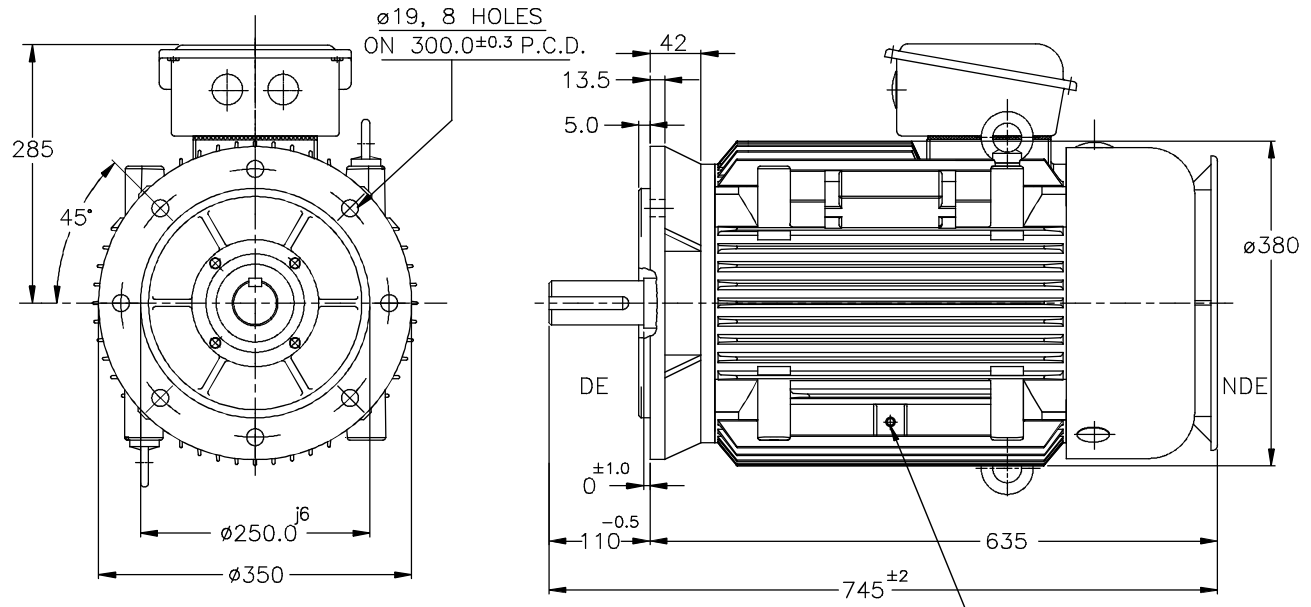
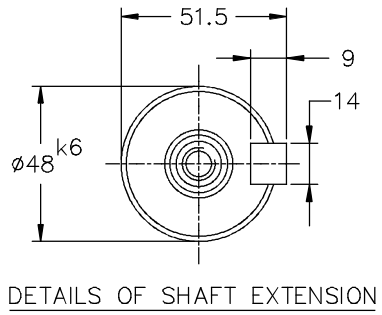
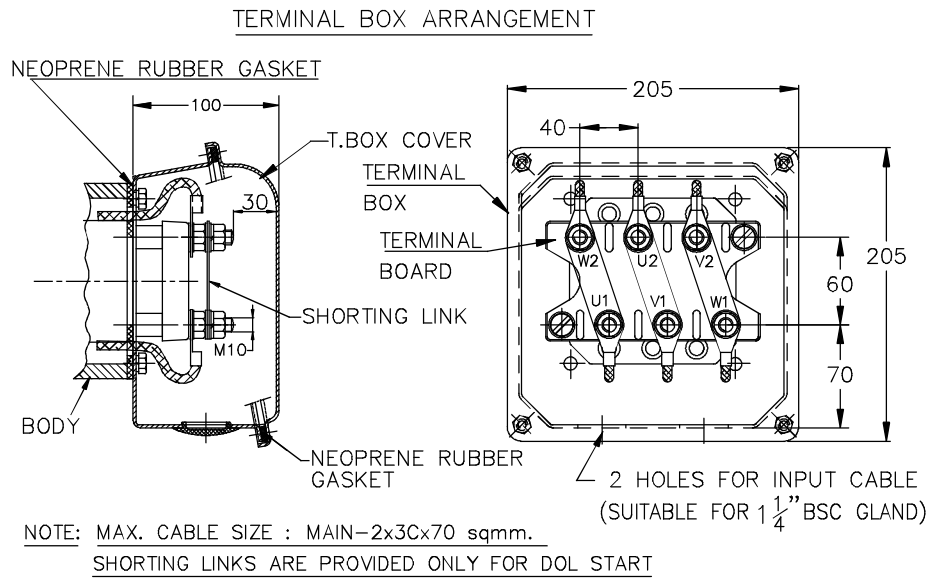


IF IN DOUBT ASK
ENGINEERING



- NOTE :
1. DIMENSIONS ARE AS PER IS: 2223, 1231
 2. DEGREE OF PROTECTION: IP: 55.
 3. TERMINAL BOX CAN BE ROTATABLE THROUGH 360° IN STEPS OF 90°.
 4. KEY & KEYWAY ARE AS PER IS: 2048 & TOLERANCE ON KEYWAY IS P9.
 5. PROTECTED CENTRE HOLE AT SHAFT EXTENSION AS PER IS: 2540.-M16X32

ALL INFORMATION CONTAINED IN THIS DOCUMENT IS CONFIDENTIAL AND THE PROPERTY OF KIRLOSKAR ELECTRIC CO. LTD. REPRODUCTION OF THESE IN ANY FORM IS TO BE DONE WITH THE SPECIFIC PERMISSION OF THE COMPANY.



NOTE: MAX. CABLE SIZE : MAIN-2x3Cx70 sqmm.
SHORTING LINKS ARE PROVIDED ONLY FOR DOL START

SIGN & DATE.
FROM dt.
DRAWING No.
REV.
ZONE
CUSTOMER / O/A No.
USED ON / TYPE
TITLE:
THIS SUPERSEDES
THIS IS SUPERSEDED BY

ITEM/TAG No.			
RATING	PROJECT :		
CABLE SIZE	CONSULTANT		JOB No.
REV.	ZONE	BRIEF RECORD	SIGNATURE DATE PRINTS ISSUED TO.
CUSTOMER / O/A No.		SCALE NTS	DRAWN SPC 17.6.2016
USED ON / TYPE VRC180ML (SHEET METAL T.BOX WITHOUT GLAND, DOUBLE ENTRY)		CHECKED Vishnu.S.H 17.6.2016	APPROVED RNV 17.6.2016
TITLE: DIMENSION SHEET		DRG. NO. KHD61189	
SHEET NO.....ONE..... OF.....ONE.....			
KIRLOSKAR ELECTRIC COMPANY LTD. HUBLI - 580 030 (INDIA)			

FORM No. 02 201 050 (ISSUE 8)