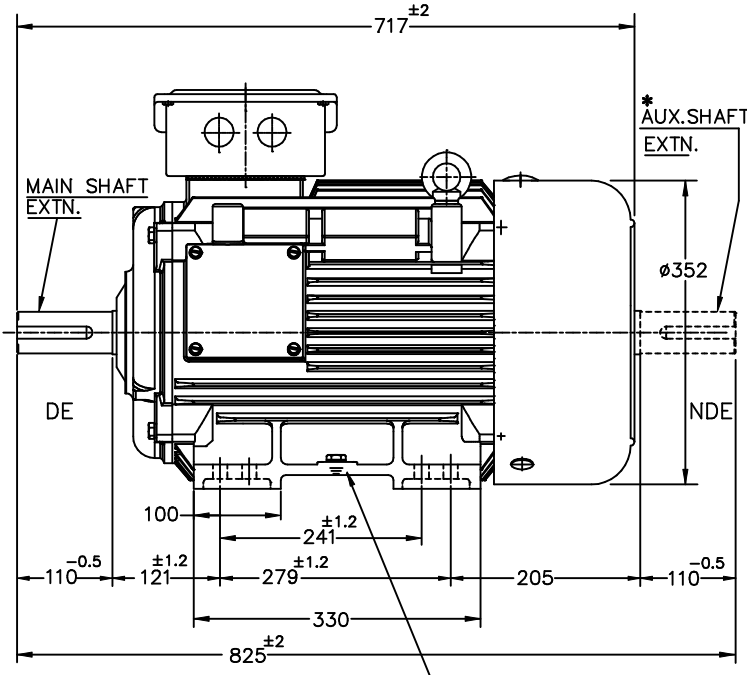
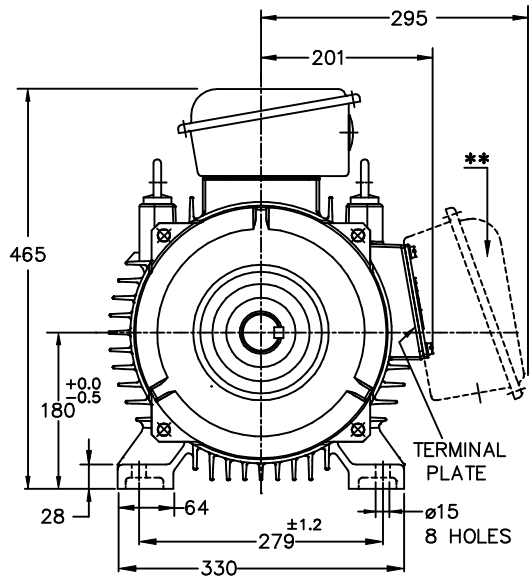


IF IN DOUBT ASK
ENGINEERING

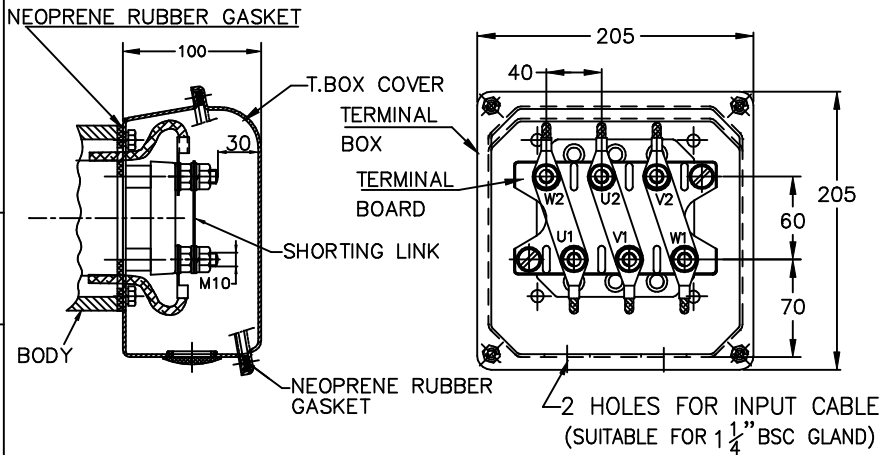


NOTE :

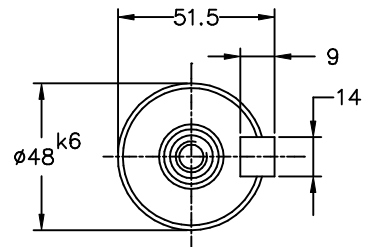
1. DIMENSIONS ARE AS PER IS:1231
2. DEGREE OF PROTECTION: IP:55.
3. TERMINAL BOX CAN BE ROTATABLE THROUGH 360° IN STEPS OF 90°.
4. KEY & KEYWAY ARE AS PER IS:2048 & TOLERANCE ON KEYWAY IS P9.
5. PROTECTED CENTRE HOLE AT SHAFT EXTENSION AS PER IS:2540.-M16X32
6. * OPTIONAL IN CASE OF DOUBLE SHAFT EXTENSION
7. **OPTIONAL IN CASE OF RHS
8. UNLESS OTHERWISE SPECIFIED TERMINAL BOX LOCATION WILL BE ON TOP SIDE WITH SINGLE SHAFT EXTENSION

M10 EARTHING SCREWS
2Nos., 1No. PER SIDE

TERMINAL BOX ARRANGEMENT



NOTE: MAX. CABLE SIZE : MAIN-2x3Cx70 sqmm.
SHORTING LINKS ARE PROVIDED ONLY FOR DOL START



**DETAILS OF SHAFT EXTENSION
MAIN & AUXILIARY**

SIGN & DATE.	---	---
FROM dt.	---	---
DRAWING No.	---	---

ITEM/TAG No.		PROJECT :	
RATING		CONSULTANT	
CABLE SIZE		JOB No.	
REV.	ZONE	BRIEF RECORD	SIGNATURE DATE PRINTS ISSUED TO.

CUSTOMER / O/A No.	SCALE NTS	DRAWN SPC 13.6.2016	
USED ON / TYPE RC180ML (SHEET METAL T.BOX WITHOUT GLAND, DOUBLE ENTRY)		CHECKED Vishnu.S.H 13.6.2016	
TITLE: DIMENSION SHEET		APPROVED RNV 13.6.2016	
		DRG. No. KHD61138	
		SHEET NO..... ONE OF..... ONE	