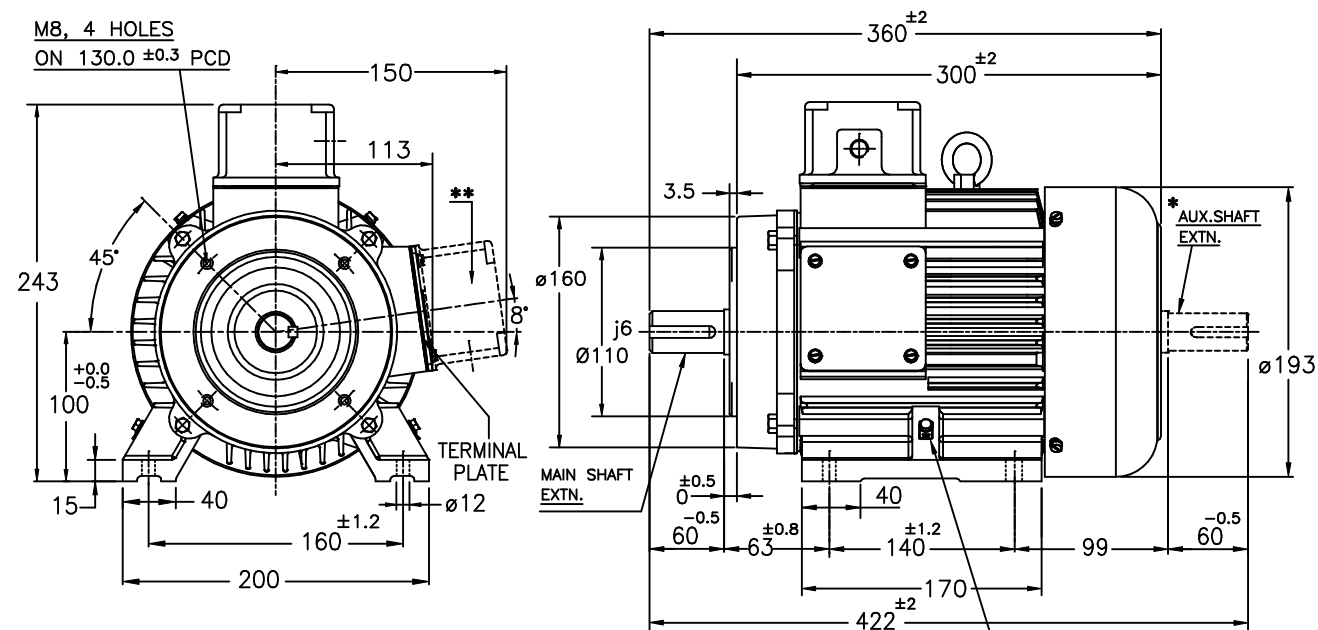


4 3 2 1
DO NOT SCALE THE DRAWING ALL DIMENSIONS ARE IN mm UNLESS OTHERWISE STATED

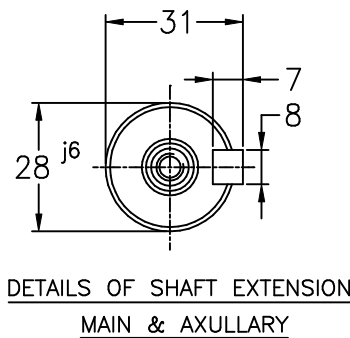
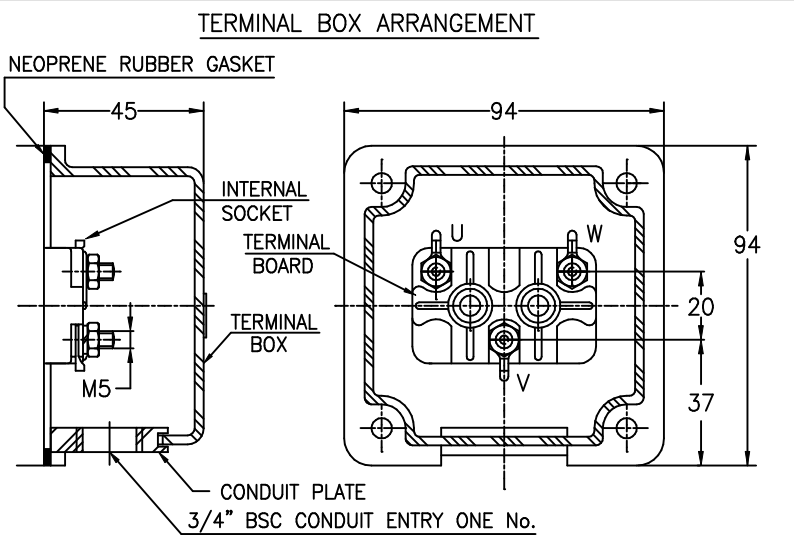
IF IN DOUBT ASK
ENGINEERING



NOTE :
 1. DIMENSIONS ARE AS PER IS:1231 & 2223
 2. DEGREE OF PROTECTION: IP:55.
 3. TERMINAL BOX CAN BE ROTATABLE THROUGH 360° IN STEPS OF 90°.
 4. KEY & KEYWAY ARE AS PER IS:2048 & TOLERANCE ON KEYWAY IS P9.
 5. PROTECTED CENTRE HOLE AT SHAFT EXTENSION AS PER IS:2540.-M10X24
 6. * OPTIONAL IN CASE OF DOUBLE SHAFT EXTENSION
 7. ** OPTIONAL IN CASE OF RHS
 8. UNLESS OTHERWISE SPECIFIED TERMINAL BOX LOCATION WILL BE ON TOP SIDE WITH SINGLE SHAFT EXTENSION

M6 EARTHING SCREWS
2Nos., 1No. PER SIDE

ALL INFORMATION CONTAINED IN THIS DOCUMENT IS CONFIDENTIAL AND THE PROPERTY OF KIRLOSKAR ELECTRIC CO. LTD. REPRODUCTION OF THESE IN ANY FORM IS TO BE DONE WITH THE SPECIFIC PERMISSION OF THE COMPANY.



NOTE: MAX. CABLE SIZE : MAIN-1x3Cx6 sqmm.

SIGN & DATE.

FROM dt.	ITEM/TAG No.	PROJECT :
	RATING	CONSULTANT
	CABLE SIZE	JOB No.

DRAWING No.	REV.	ZONE	BRIEF RECORD	SIGNATURE	DATE	PRINTS ISSUED TO.
-------------	------	------	--------------	-----------	------	-------------------

CUSTOMER / O/A No.	SCALE NTS	DRAWN SPC A.7.2016	
USED ON / TYPE FCRC100L (NYLON TERMINAL BOX)		CHECKED Vishnu.S.H A.7.2016	
TITLE: DIMENSION SHEET		APPROVED RNV A.7.2016	
		DRG. NO. KHD61126	
		SHEET NO.....ONE..... OF.....ONE.....	