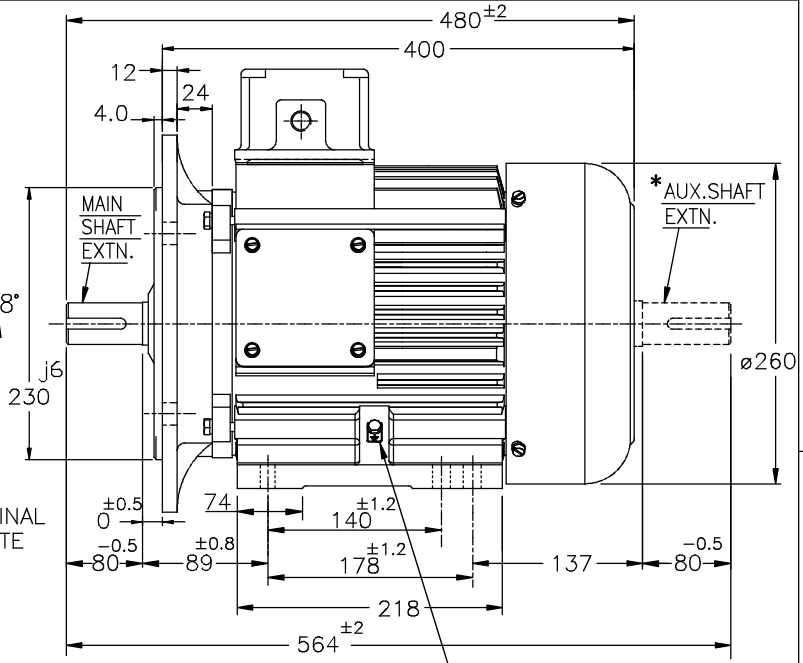
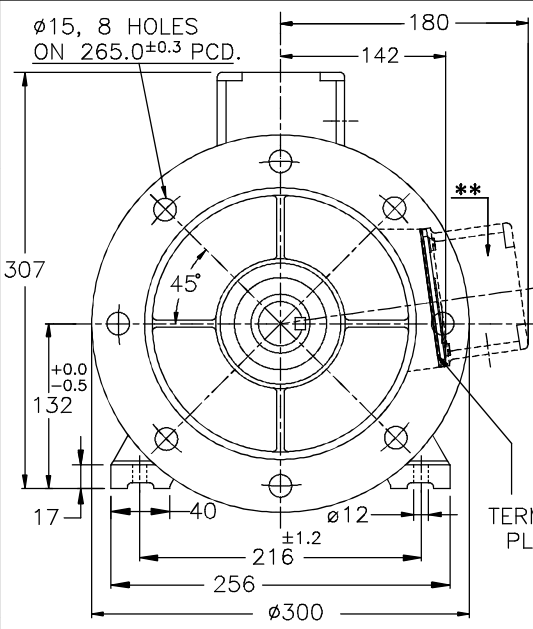


IF IN DOUBT ASK ENGINEERING

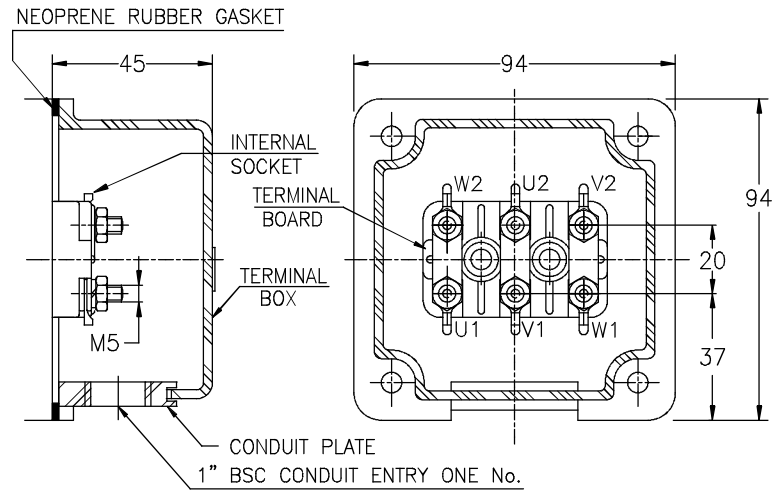


NOTE :

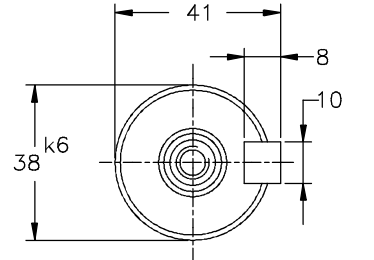
1. DIMENSIONS ARE AS PER IS:1231 & 2223
2. DEGREE OF PROTECTION: IP:55.
3. TERMINAL BOX CAN BE ROTATABLE THROUGH 360° IN STEPS OF 90°.
4. KEY & KEYWAY ARE AS PER IS:2048 & TOLERANCE ON KEYWAY IS P9.
5. PROTECTED CENTRE HOLE AT SHAFT EXTENSION AS PER IS:2540.-M12X28
6. * OPTIONAL IN CASE OF DOUBLE SHAFT EXTENSION
7. ** OPTIONAL IN CASE OF RHS
8. UNLESS OTHERWISE SPECIFIED TERMINAL BOX LOCATION WILL BE ON TOP SIDE WITH SINGLE SHAFT EXTENSION

M6 EARTHING SCREWS
2Nos., 1No. PER SIDE

TERMINAL BOX ARRANGEMENT



NOTE: MAX. CABLE SIZE : MAIN-1x3Cx16 sq.mm.



DETAILS OF SHAFT EXTENSION
MAIN & AXULLARY

SIGN & DATE.

FROM dt.

DRAWING No.

ITEM/TAG No.			
RATING	PROJECT :		
CABLE SIZE	CONSULTANT		JOB No.
REV.	ZONE	BRIEF RECORD	SIGNATURE DATE PRINTS ISSUED TO.

CUSTOMER / O/A No.		SCALE	DRAWN	Karthik.H	25.01.16
USED ON / TYPE		NTS	CHECKED	Vishnu.S.H	25.01.16
TITLE:			APPROVED	RNV	25.01.16
DIMENSION SHEET		DRG. NO.		KHD61112	
		SHEET NO.....ONE..... OF.....ONE.....			