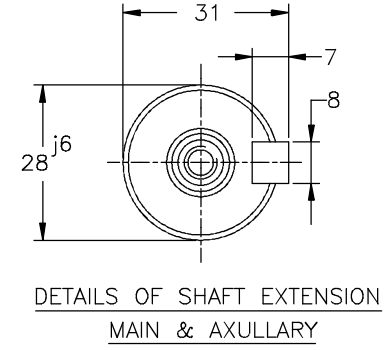
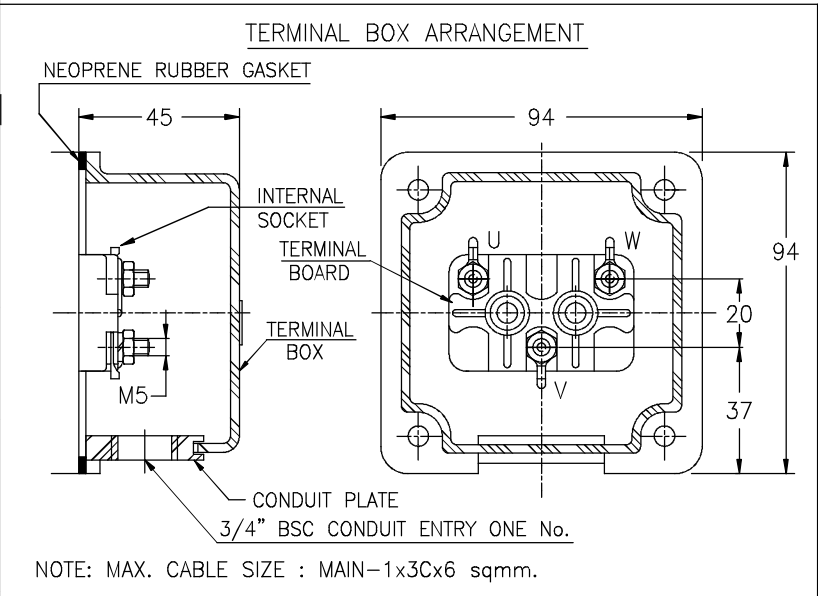


NOTE :

- DIMENSIONS ARE AS PER IS:1231 & 2223
- DEGREE OF PROTECTION: IP:55.
- TERMINAL BOX CAN BE ROTATABLE THROUGH 360° IN STEPS OF 90°.
- KEY & KEYWAY ARE AS PER IS:2048 & TOLERANCE ON KEYWAY IS P9.
- PROTECTED CENTRE HOLE AT SHAFT EXTENSION AS PER IS:2540.-M10X24
- * OPTIONAL IN CASE OF DOUBLE SHAFT EXTENSION
- ** OPTIONAL IN CASE OF RHS
- UNLESS OTHERWISE SPECIFIED TERMINAL BOX LOCATION WILL BE ON TOP SIDE WITH SINGLE SHAFT EXTENSION

M6 EARTHING SCREWS 2Nos., 1No. PER SIDE



SIGN & DATE.	---	---
	---	---
FROM dt.	---	---
DRAWING No.	---	---
	---	---
THIS SUPERSEDES THIS IS SUPERSEDED BY	ITEM/TAG No.	
	RATING	PROJECT :
	CABLE SIZE	CONSULTANT
		JOB No.
	REV.	ZONE
	BRIEF RECORD	
	SIGNATURE	DATE
	PRINTS ISSUED TO.	
	CUSTOMER / O/A No.	SCALE
		NTS
	USED ON / TYPE	DRAWN
	FBRC100L (NYLON TERMINAL BOX)	Karthik.H
		CHECKED
		Vishnu.S.H
		APPROVED
		RNV
	TITLE:	DRG. NO.
	DIMENSION SHEET	KHD61110
		SHEET NO.....ONE..... OF.....ONE.....