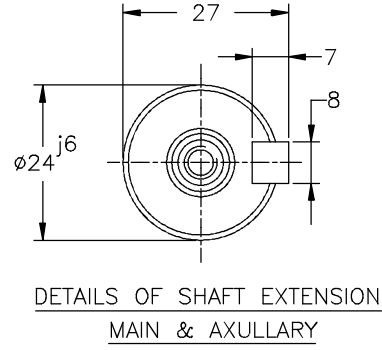
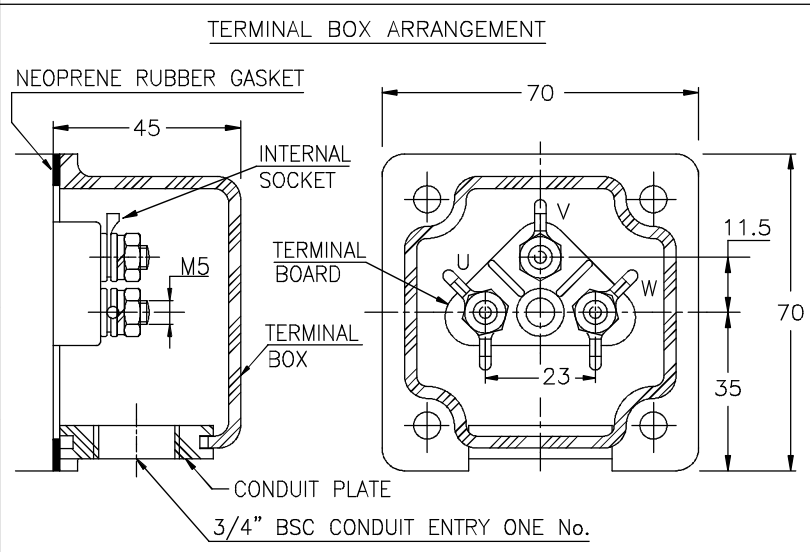


- NOTE :
1. DIMENSIONS ARE AS PER IS:1231 & 2223
 2. DEGREE OF PROTECTION: IP:55.
 3. TERMINAL BOX CAN BE ROTATABLE THROUGH 360° IN STEPS OF 90°.
 4. KEY & KEYWAY ARE AS PER IS:2048 & TOLERANCE ON KEYWAY IS P9.
 5. PROTECTED CENTRE HOLE AT SHAFT EXTENSION AS PER IS:2540.-M8X20
 6. * OPTIONAL IN CASE OF DOUBLE SHAFT EXTENSION
 7. ** OPTIONAL IN CASE OF RHS
 8. UNLESS OTHERWISE SPECIFIED TERMINAL BOX LOCATION WILL BE ON TOP SIDE WITH SINGLE SHAFT EXTENSION

M6 EARTHING SCREWS
2Nos., 1No. PER SIDE



NOTE: MAX. CABLE SIZE : MAIN-1x3Cx6 sq.mm.

SIGN & DATE.	---	---
	---	---
FROM dt.	---	---
DRAWING No.	---	---
	---	---
THIS SUPERSEDES THIS IS SUPERSEDED BY	ITEM/TAG No.	
	RATING	PROJECT :
REV.	CABLE SIZE	CONSULTANT
	ZONE	JOB No.
CUSTOMER / O/A No.	BRIEF RECORD	SIGNATURE
	SCALE	DATE
USED ON / TYPE	NTS	PRINTS ISSUED TO.
	FBR90SL (NYLON TERMINAL BOX)	DRAWN Karthik.H 25.01.16
TITLE:	DIMENSION SHEET	CHECKED Vishnu.S.H 25.01.16
		APPROVED RNV 25.01.16
DRG. NO. KHD61109		
SHEET NO.....ONE..... OF.....ONE.....		
KIRLOSKAR ELECTRIC COMPANY LTD. HUBLI - 580 030 (INDIA)		