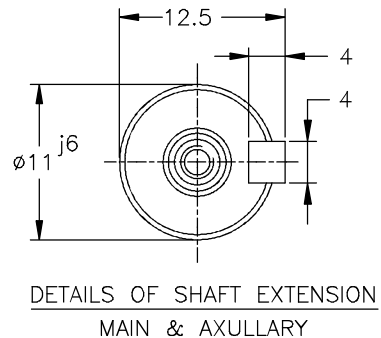
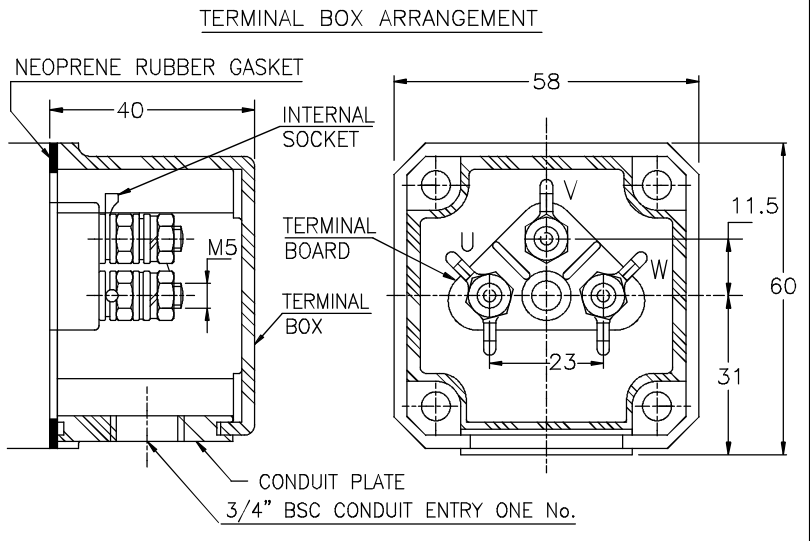


NOTE :

1. DIMENSIONS ARE AS PER IS:1231 & 2223
2. DEGREE OF PROTECTION: IP:55.
3. TERMINAL BOX CAN BE ROTATABLE THROUGH 360° IN STEPS OF 90°.
4. KEY & KEYWAY ARE AS PER IS:2048 & TOLERANCE ON KEYWAY IS P9.
5. PROTECTED CENTRE HOLE AT SHAFT EXTENSION AS PER IS:2540.-M4X16
6. * OPTIONAL IN CASE OF DOUBLE SHAFT EXTENSION
7. ** OPTIONAL IN CASE OF RHS
8. UNLESS OTHERWISE SPECIFIED TERMINAL BOX LOCATION WILL BE ON TOP SIDE WITH SINGLE SHAFT EXTENSION

M6 EARTHING SCREWS
2Nos., 1No. PER SIDE



NOTE: MAX. CABLE SIZE : MAIN-1x3Cx4 sqmm.

SIGN & DATE.	--	--			A
FROM dt.	--	--	ITEM/TAG No.		
			RATING	PROJECT :	
			CABLE SIZE	CONSULTANT	JOB No.
DRAWING No.	--	--			
REV.	ZONE	BRIEF RECORD		SIGNATURE	DATE
			SCALE		PRINTS ISSUED TO.
			NTS		25.01.16
USED ON / TYPE			DRAWN		25.01.16
FBRC63 (NYLON TERMINAL BOX)			CHECKED		25.01.16
TITLE:			APPROVED		25.01.16
DIMENSION SHEET			DRG. NO.		KHD61106
KIRLOSKAR ELECTRIC COMPANY LTD. HUBLI - 580 030 (INDIA)			SHEET NO. ONE		OF ONE

ALL INFORMATION CONTAINED IN THIS DOCUMENT IS CONFIDENTIAL AND THE PROPERTY OF KIRLOSKAR ELECTRIC CO. LTD. REPRODUCTION OF THESE IN ANY FORM IS TO BE DONE WITH THE SPECIFIC PERMISSION OF THE COMPANY.

IF IN DOUBT ASK
ENGINEERING