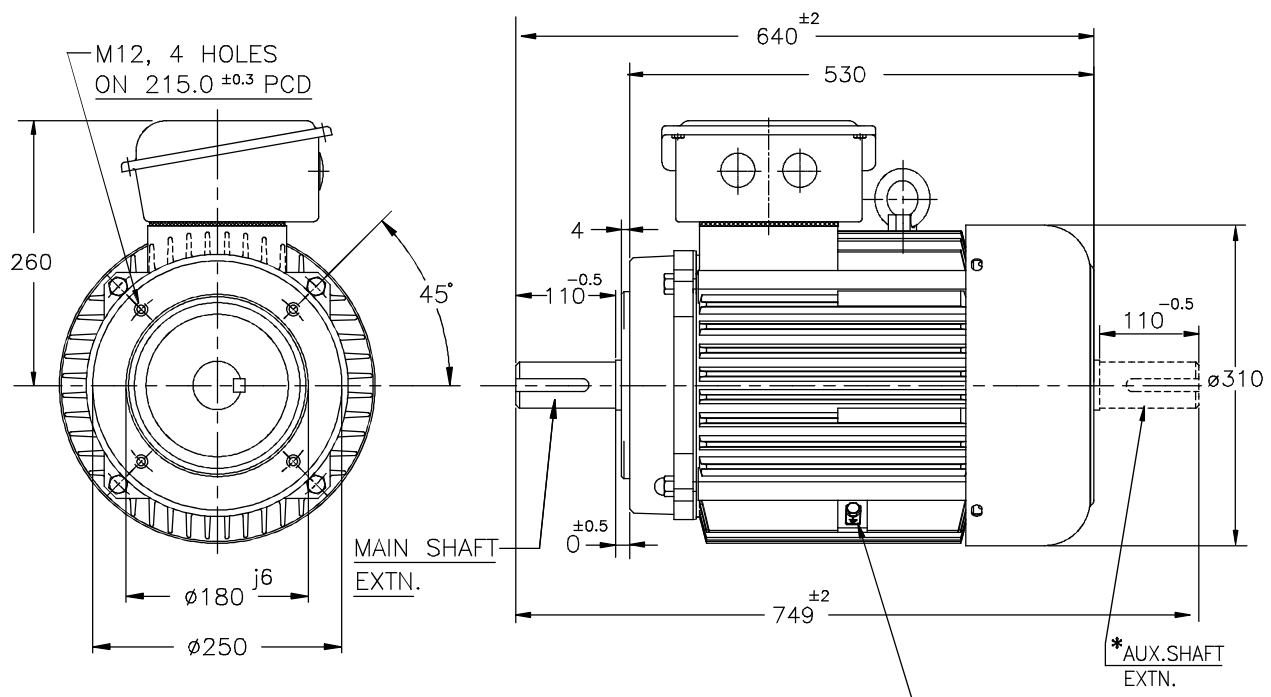
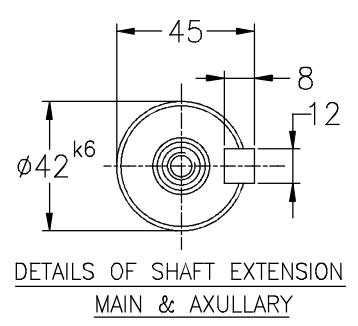
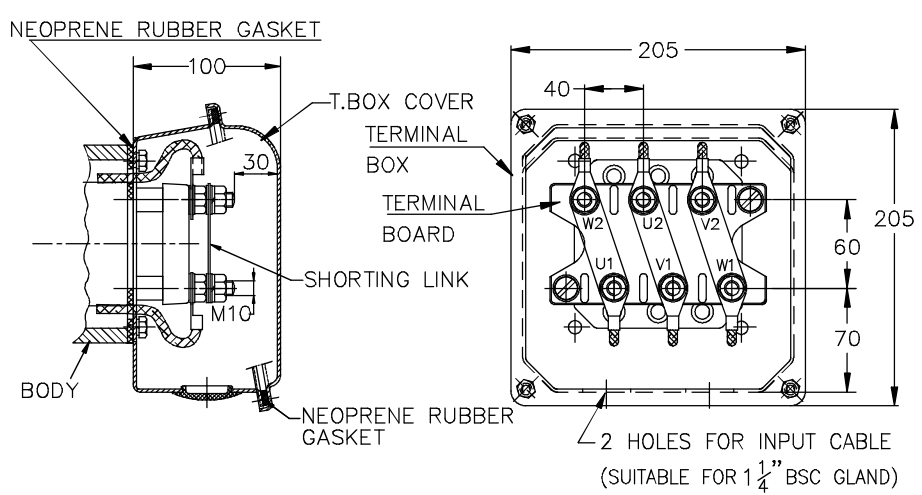


IF IN DOUBT ASK
ENGINEERING



- NOTE :**
1. DIMENSIONS ARE AS PER IS:1231 & 2223
 2. DEGREE OF PROTECTION: IP:55.
 3. TERMINAL BOX CAN BE ROTATABLE THROUGH 360° IN STEPS OF 90°.
 4. KEY & KEYWAY ARE AS PER IS:2048 & TOLERANCE ON KEYWAY IS P9.
 5. PROTECTED CENTRE HOLE AT SHAFT EXTENSION AS PER IS:2540.-M16X32
 6. * OPTIONAL IN CASE OF DOUBLE SHAFT EXTENSION
 7. UNLESS OTHERWISE SPECIFIED MOTOR WILL BE WITH SINGLE SHAFT EXTENSION

TERMINAL BOX ARRANGEMENT



NOTE: MAX. CABLE SIZE : MAIN-2x3Cx70 sqmm.
SHORTING LINKS ARE PROVIDED ONLY FOR DOL START

SIGN & DATE.	---	---
	---	---
FROM dt.	---	---
DRAWING No.	---	---
THIS SUPERSEDES THIS IS SUPERSEDED BY	---	---

REV.	ZONE	BRIEF RECORD	SIGNATURE	DATE	PRINTS ISSUED TO.
------	------	--------------	-----------	------	-------------------

CUSTOMER / O/A No.	SCALE NTS	DRAWN SPC	1.7.2016
USED ON / TYPE CRC160 (SHEET METAL TERMINAL BOX)		CHECKED Vishnu.S.H	1.7.2016
TITLE: DIMENSION SHEET		APPROVED RVN	1.7.2016

DRG. NO.	KHD61105
SHEET NO.....ONE..... OF.....ONE.....	