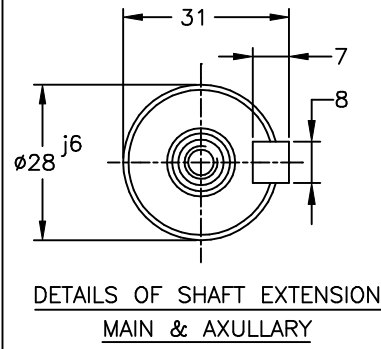
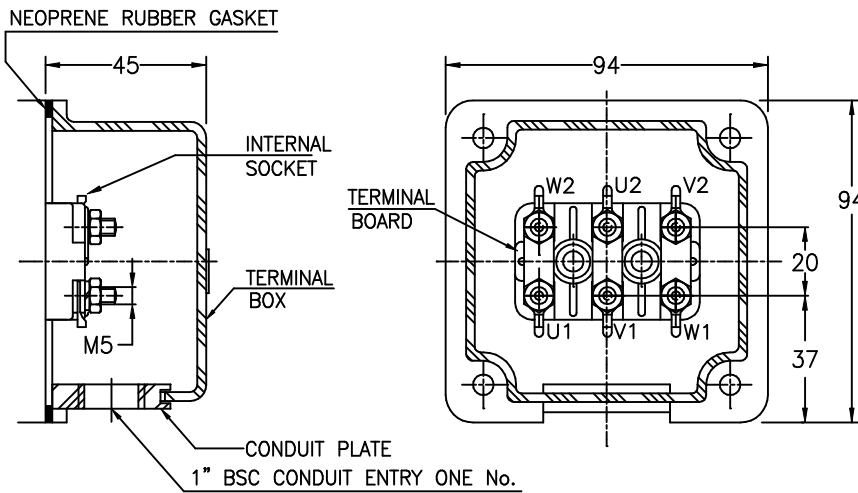


**NOTE :**

1. DIMENSIONS ARE AS PER IS:1231 & 2223
2. DEGREE OF PROTECTION: IP:55.
3. TERMINAL BOX CAN BE ROTATABLE THROUGH 360° IN STEPS OF 90°.
4. KEY & KEYWAY ARE AS PER IS:2048 & TOLERANCE ON KEYWAY IS P9.
5. PROTECTED CENTRE HOLE AT SHAFT EXTENSION AS PER IS:2540.-M10X24.
6. \*OPTIONAL IN CASE OF DOUBLE SHAFT EXTENSION
7. UNLESS OTHERWISE SPECIFIED MOTOR WILL BE WITH SINGLE SHAFT EXTENSION

**TERMINAL BOX ARRANGEMENT**



NOTE: MAX. CABLE SIZE : MAIN-1x3Cx16 sqmm.

ALL INFORMATION CONTAINED IN THIS DOCUMENT IS CONFIDENTIAL AND THE PROPERTY OF KIRLOSKAR ELECTRIC CO. LTD. REPRODUCTION OF THESE IN ANY FORM IS TO BE DONE WITH THE SPECIFIC PERMISSION OF THE COMPANY.

IF IN DOUBT ASK ENGINEERING

FROM dt.	---	ITEM/TAG No.			
RATING		PROJECT :			
CABLE SIZE		CONSULTANT			JOB No.
REV.	ZONE	BRIEF RECORD		SIGNATURE	DATE
CUSTOMER / O/A No.		SCALE	PRINTS ISSUED TO.		
USED ON / TYPE		NTS	DRAWN	SPC	26.5.2016
TITLE:			CHECKED	Vishnu.S.H	26.5.2016
			APPROVED	RNV	26.5.2016
DIMENSION SHEET		DRG. NO.		KHD61103	
		SHEET NO.....ONE.....		OF.....ONE.....	
KIRLOSKAR ELECTRIC COMPANY LTD. HUBLI - 580 030 (INDIA)					

FORM No. 02 201 050 (ISSUE 8)

