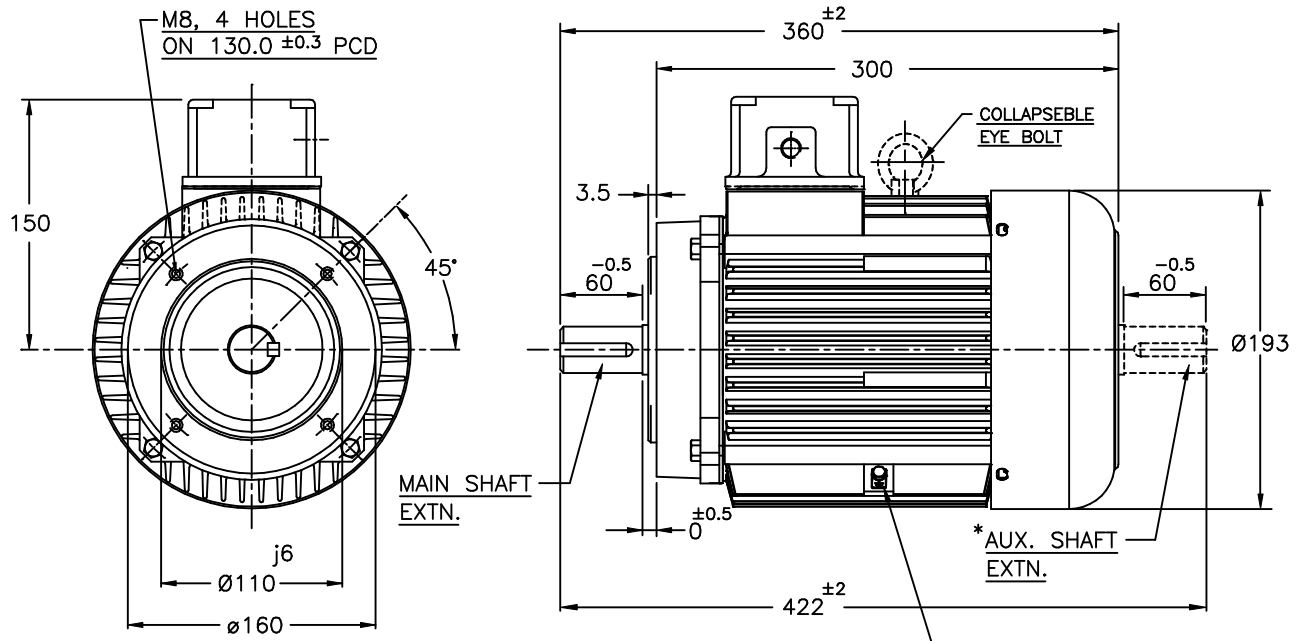


4 3 2 1
DO NOT SCALE THE DRAWING ALL DIMENSIONS ARE IN mm UNLESS OTHERWISE STATED

IF IN DOUBT ASK
ENGINEERING

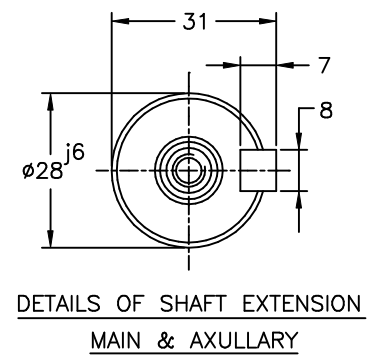
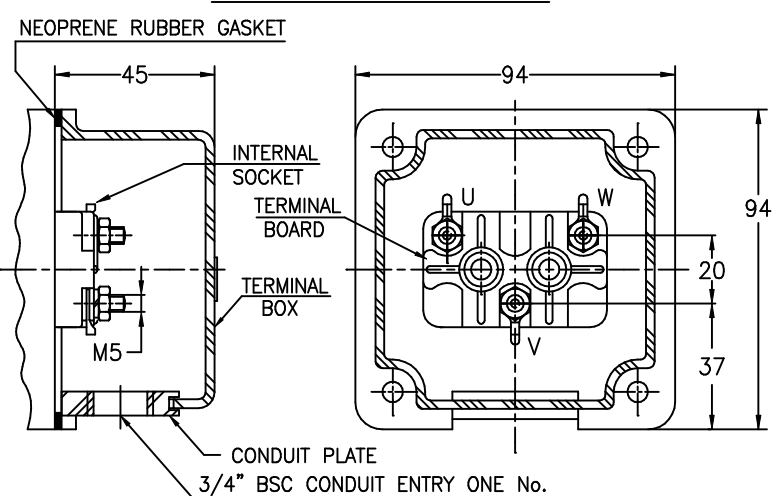


NOTE :

1. DIMENSIONS ARE AS PER IS:1231 & 2223
2. DEGREE OF PROTECTION: IP:55.
3. TERMINAL BOX CAN BE ROTATABLE THROUGH 360° IN STEPS OF 90°.
4. KEY & KEYWAY ARE AS PER IS:2048 & TOLERANCE ON KEYWAY IS P9.
5. PROTECTED CENTRE HOLE AT SHAFT EXTENSION AS PER IS:2540.-M8X20
6. *OPTIONAL IN CASE OF DOUBLE SHAFT EXTENSION
7. UNLESS OTHERWISE SPECIFIED MOTOR WILL BE WITH SINGLE SHAFT EXTENSION

M6 EARTHING SCREWS
2Nos., 1No. PER SIDE

TERMINAL BOX ARRANGEMENT



NOTE: MAX. CABLE SIZE : MAIN-1x3Cx6 sqmm.

ALL INFORMATION CONTAINED IN THIS DOCUMENT IS CONFIDENTIAL AND THE PROPERTY OF KIRLOSKAR ELECTRIC CO. LTD. REPRODUCTION OF THESE IN ANY FORM IS TO BE DONE WITH THE SPECIFIC PERMISSION OF THE COMPANY.

SIGN & DATE. -- --

FROM dt. -- --

DRAWING No. -- --

THIS SUPERSEDES THIS IS SUPERSEDED BY

ITEM/TAG No.			
RATING		PROJECT :	
CABLE SIZE		CONSULTANT	JOB No.
REV.	ZONE	BRIEF RECORD	SIGNATURE DATE PRINTS ISSUED TO.

CUSTOMER / O/A No.	SCALE NTS	DRAWN Karthik.k 01.03.16	
USED ON / TYPE CRC100 (NYLON TERMINAL BOX)		CHECKED Shankar.S.K 01.03.16	
TITLE: DIMENSION SHEET		APPROVED RNV 01.03.16	
		DRG. NO. KHD61102	
		SHEET NO.....ONE..... OF.....ONE.....	