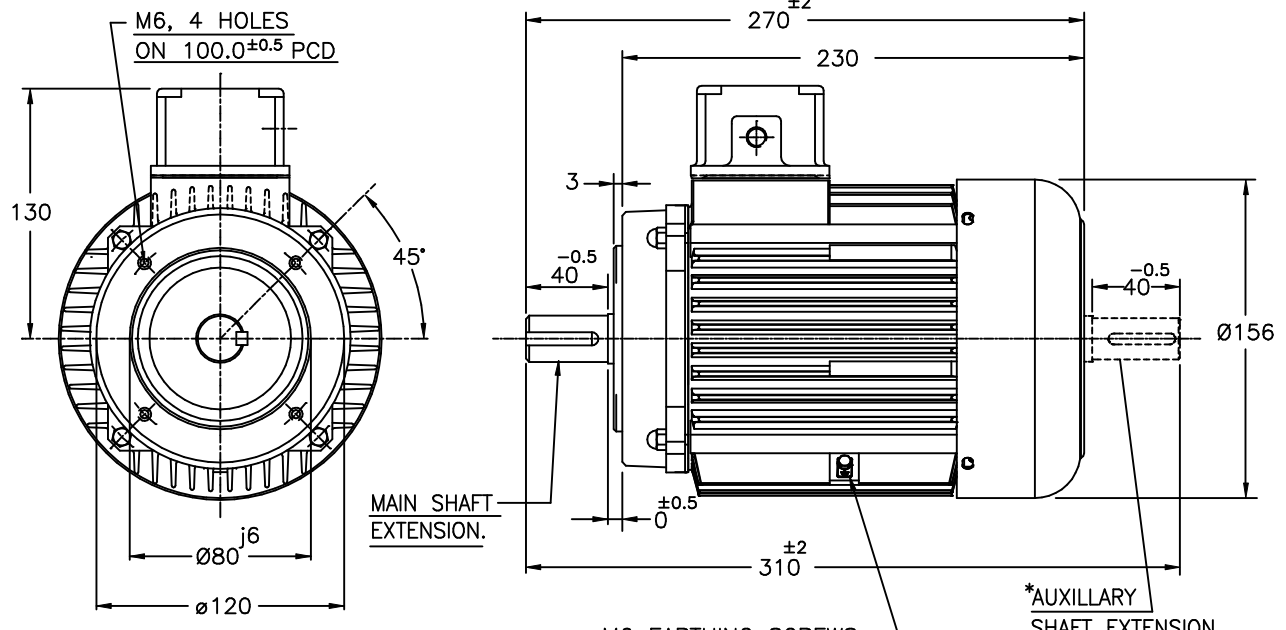
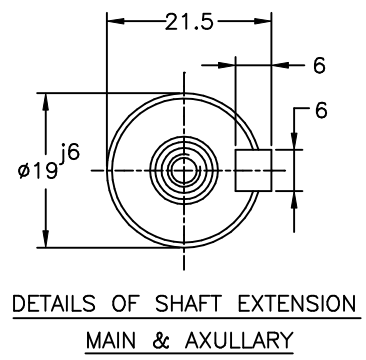
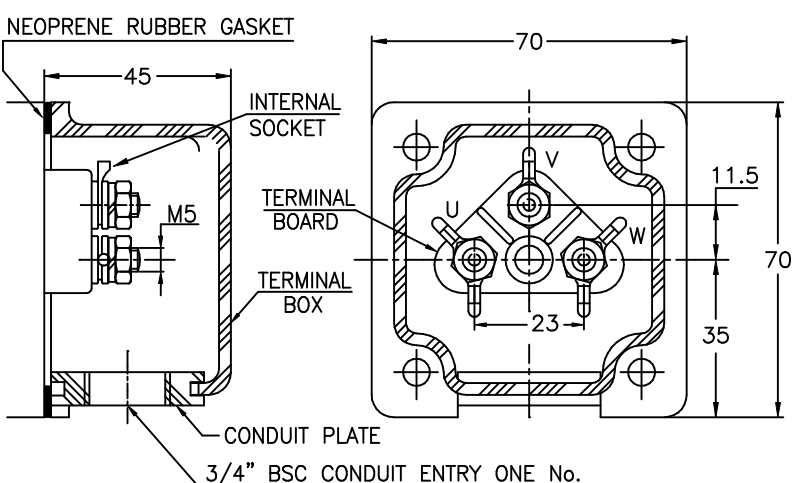


IF IN DOUBT ASK
ENGINEERING



- NOTE :**
1. DIMENSIONS ARE AS PER IS:1231 & 2223
 2. DEGREE OF PROTECTION: IP:55.
 3. TERMINAL BOX CAN BE ROTATABLE THROUGH 360° IN STEPS OF 90°.
 4. KEY & KEYWAY ARE AS PER IS:2048 & TOLERANCE ON KEYWAY IS P9.
 5. PROTECTED CENTRE HOLE AT SHAFT EXTENSION AS PER IS:2540.-M6X16
 6. *OPTIONAL IN CASE OF DOUBLE SHAFT EXTENSION
 7. UNLESS OTHERWISE SPECIFIED MOTOR WILL BE WITH SINGLE SHAFT EXTENSION

TERMINAL BOX ARRANGEMENT



NOTE: MAX. CABLE SIZE : MAIN-1x3Cx6 sqmm.

SIGN & DATE. FROM dt. DRAWING No. REV. ZONE BRIEF RECORD SIGNATURE DATE PRINTS ISSUED TO. CUSTOMER / O/A No. SCALE USED ON / TYPE TITLE: THIS SUPERSEDES THIS IS SUPERSEDED BY

ITEM/TAG No.			
RATING	PROJECT :		
CABLE SIZE	CONSULTANT		JOB No.
REV.	ZONE	BRIEF RECORD	SIGNATURE DATE PRINTS ISSUED TO.
CUSTOMER / O/A No.		SCALE	DRAWN Karthik.K.H 01.03.16
USED ON / TYPE		NTS	CHECKED Vishnu.S.H 01.03.16
TITLE:			APPROVED RNV 01.03.16
DIMENSION SHEET			DRG. NO. KHD61100
KIRLOSKAR ELECTRIC COMPANY LTD. HUBLI - 580 030 (INDIA)			SHEET NO.....ONE..... OF.....ONE.....