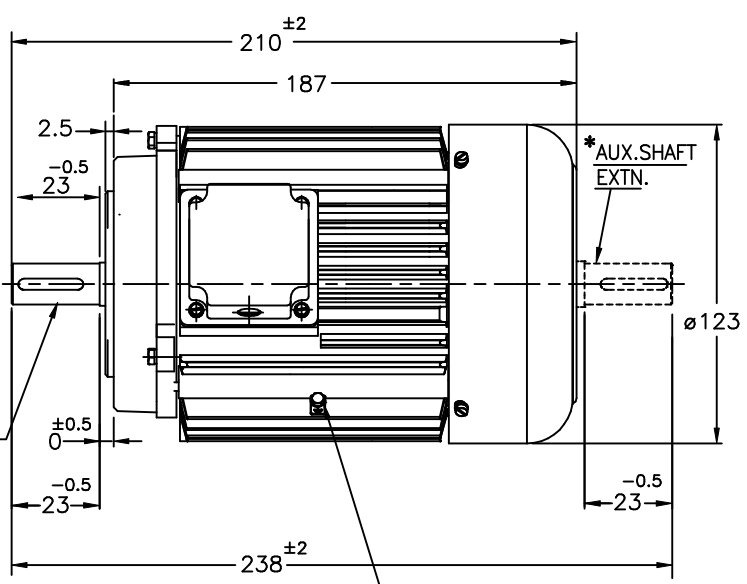
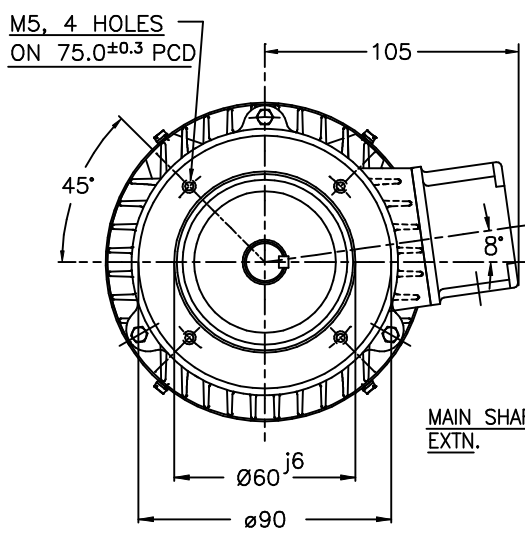


4 3 2 1
DO NOT SCALE THE DRAWING ALL DIMENSIONS ARE IN mm UNLESS OTHERWISE STATED

IF IN DOUBT ASK
ENGINEERING



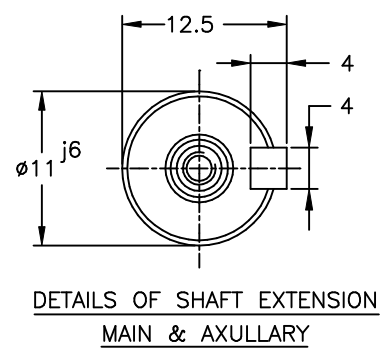
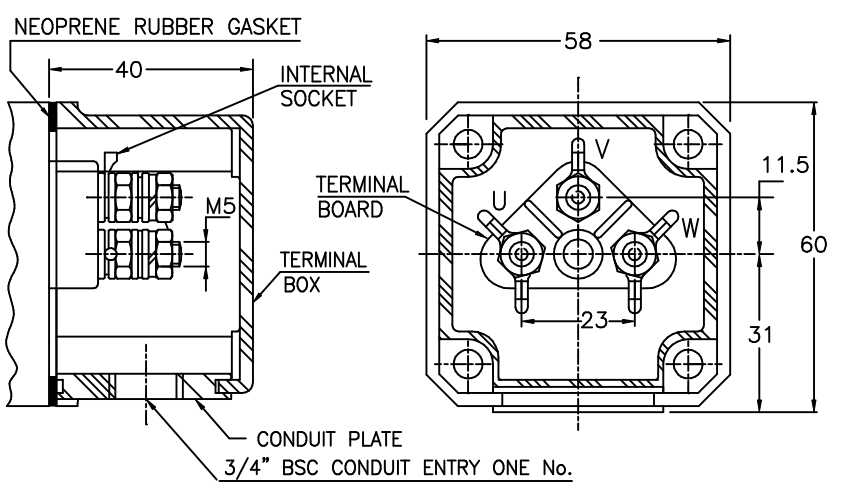
NOTE :

1. DIMENSIONS ARE AS PER IS:1231
2. DEGREE OF PROTECTION: IP:55.
3. TERMINAL BOX CAN BE ROTATABLE THROUGH 360° IN STEPS OF 90°.
4. KEY & KEYWAY ARE AS PER IS:2048 & TOLERANCE ON KEYWAY IS P9.
5. PROTECTED CENTRE HOLE AT SHAFT EXTENSION AS PER IS:2540.-M4X16
6. * OPTIONAL IN CASE OF DOUBLE SHAFT EXTENSION
7. UNLESS OTHERWISE SPECIFIED MOTOR WILL BE WITH SINGLE SHAFT EXTENSION

M6 EARTHING SCREWS
2Nos., 1No. PER SIDE

ALL INFORMATION CONTAINED IN THIS DOCUMENT IS CONFIDENTIAL AND THE PROPERTY OF KIRLOSKAR ELECTRIC CO. LTD. REPRODUCTION OF THESE IN ANY FORM IS TO BE DONE WITH THE SPECIFIC PERMISSION OF THE COMPANY.

TERMINAL BOX ARRANGEMENT



NOTE: MAX. CABLE SIZE : MAIN-1x3Cx4 sqmm.

SIGN & DATE.

FROM dt.

DRAWING No.
REV. ZONE
CUSTOMER / O/A No.

ITEM/TAG No.		PROJECT :	
RATING		CONSULTANT	
CABLE SIZE		JOB No.	

REV.	ZONE	BRIEF RECORD	SIGNATURE	DATE	PRINTS ISSUED TO.
CUSTOMER / O/A No.		SCALE	DRAWN	SPC	25.5.2016
USED ON / TYPE		NTS	CHECKED	Vishnu.S.H	25.5.2016
TITLE:			APPROVED	RNV	25.5.2016
DIMENSION SHEET			DRG. NO.	KHD61009	
			SHEET NO.....ONE..... OF.....ONE.....		