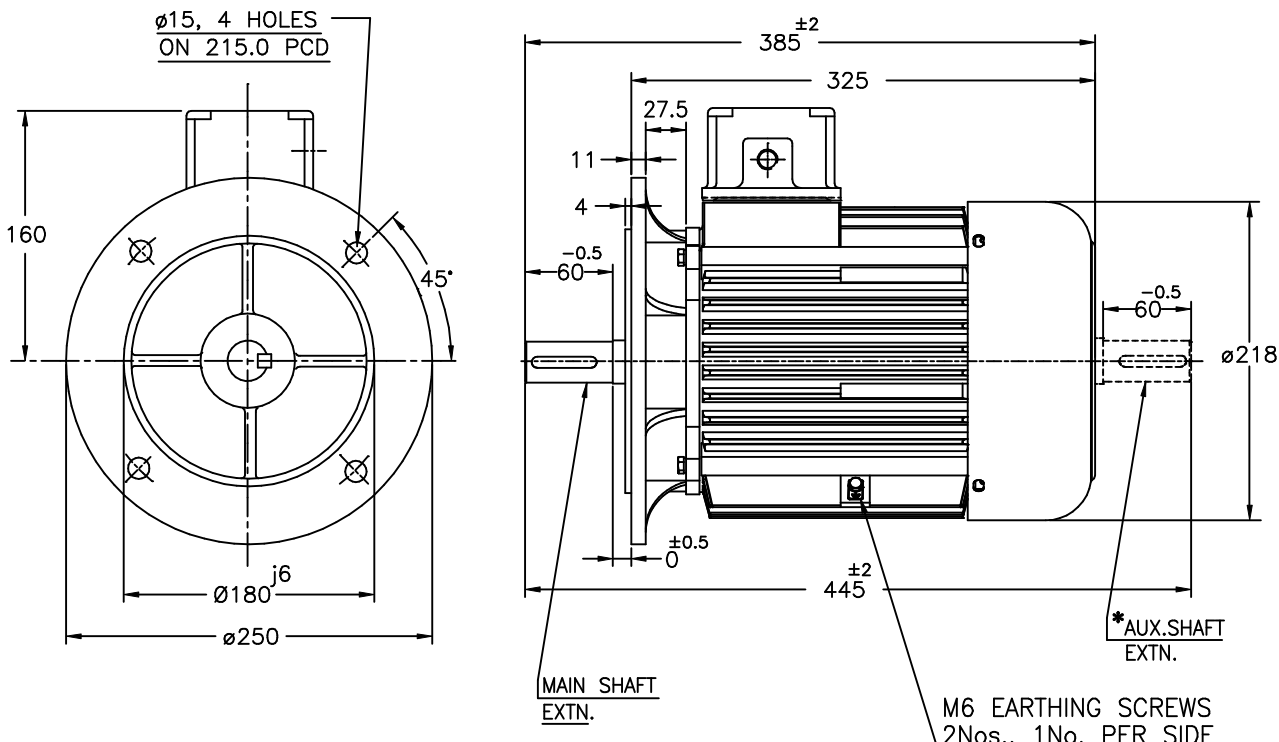
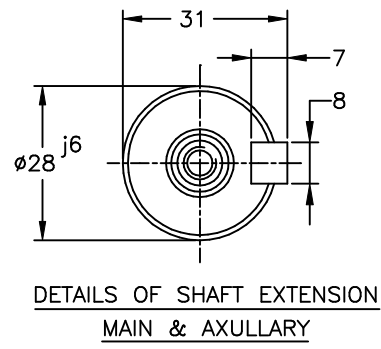
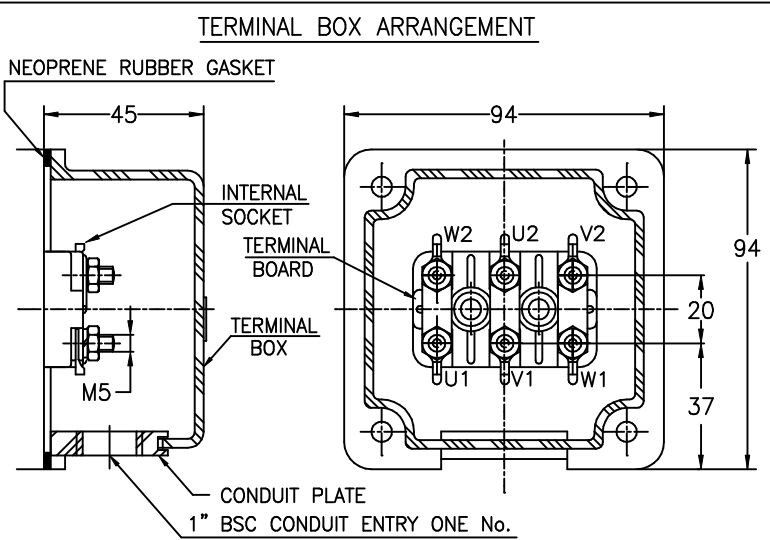


IF IN DOUBT ASK
ENGINEERING



- NOTE :
1. DIMENSIONS ARE AS PER IS:1231 & 2223
 2. DEGREE OF PROTECTION: IP:55.
 3. TERMINAL BOX CAN BE ROTATABLE THROUGH 360° IN STEPS OF 90°.
 4. KEY & KEYWAY ARE AS PER IS:2048 & TOLERANCE ON KEYWAY IS P9.
 5. PROTECTED CENTRE HOLE AT SHAFT EXTENSION AS PER IS:2540.-M10X24
 6. * OPTIONAL IN CASE OF DOUBLE SHAFT EXTENSION

ALL INFORMATION CONTAINED IN THIS DOCUMENT IS CONFIDENTIAL AND THE PROPERTY OF KIRLOSKAR ELECTRIC CO. LTD. REPRODUCTION OF THESE IN ANY FORM IS TO BE DONE WITH THE SPECIFIC PERMISSION OF THE COMPANY.



NOTE: MAX. CABLE SIZE : MAIN-1x3Cx16 sqmm.

SIGN & DATE.
 FROM dt.
 DRAWING No.
 THIS SUPERSEDES
 THIS IS SUPERSEDED BY

REV.	ZONE	BRIEF RECORD	SIGNATURE	DATE	PRINTS ISSUED TO.
CUSTOMER / O/A No.		SCALE NTS	DRAWN Shankar.S.K	05.09.15	
USED ON / TYPE BRC112 (NYLON TERMINAL BOX)			CHECKED Vishnu.S.H	05.09.15	
TITLE: DIMENSION SHEET			APPROVED RNV	05.09.15	
DRG. NO. KHD61064			SHEET NO.....ONE..... OF.....ONE.....		
KIRLOSKAR ELECTRIC COMPANY LTD. HUBLI - 580 030 (INDIA)					