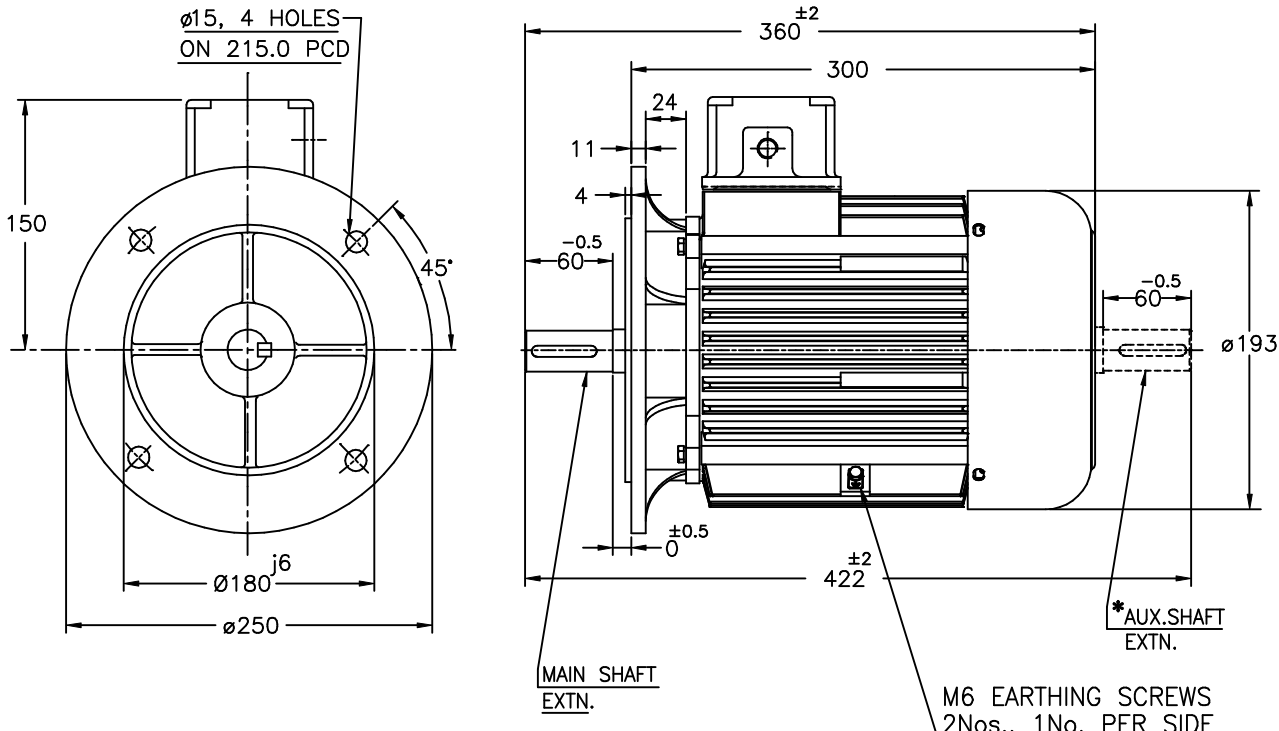
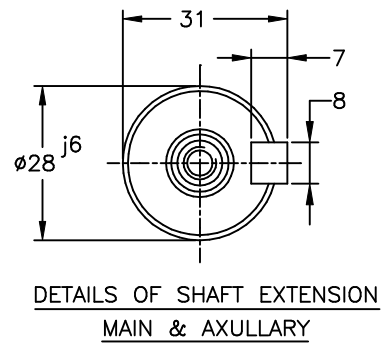
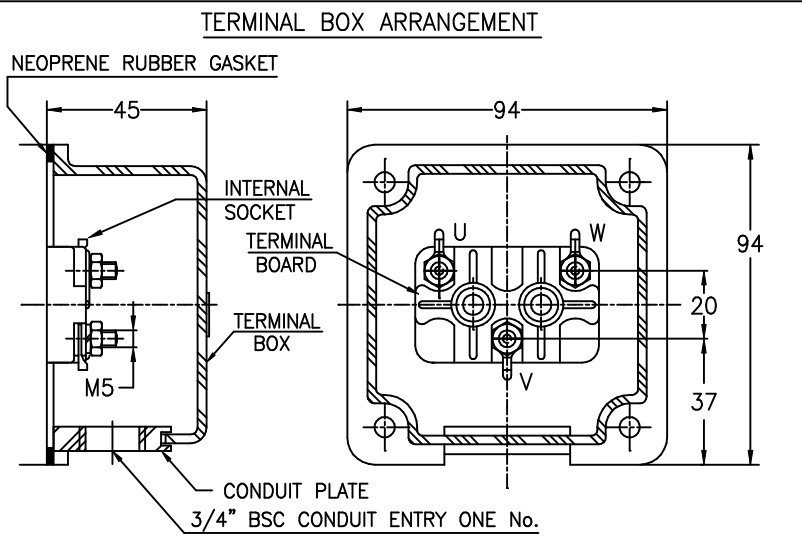


IF IN DOUBT ASK ENGINEERING



- NOTE :
1. DIMENSIONS ARE AS PER IS:1231 & 2223
  2. DEGREE OF PROTECTION: IP:55.
  3. TERMINAL BOX CAN BE ROTATABLE THROUGH 360° IN STEPS OF 90°.
  4. KEY & KEYWAY ARE AS PER IS:2048 & TOLERANCE ON KEYWAY IS P9.
  5. PROTECTED CENTRE HOLE AT SHAFT EXTENSION AS PER IS:2540.-M10X24
  6. \* OPTIONAL IN CASE OF DOUBLE SHAFT EXTENSION



NOTE: MAX. CABLE SIZE : MAIN-1x3Cx6 sqmm.

SIGN & DATE.	---	---
FROM dt.	---	---
DRAWING No.	---	---

REV.	ZONE	BRIEF RECORD	SIGNATURE	DATE	PRINTS ISSUED TO.
CUSTOMER / O/A No.		SCALE NTS	DRAWN Shankar.S.K	05.09.15	
USED ON / TYPE BRC100 (NYLON TERMINAL BOX)			CHECKED Vishnu.S.H	05.09.15	
TITLE: DIMENSION SHEET			APPROVED RNV	05.09.15	
DRG. NO. KHD61063			SHEET NO.....ONE..... OF.....ONE.....		