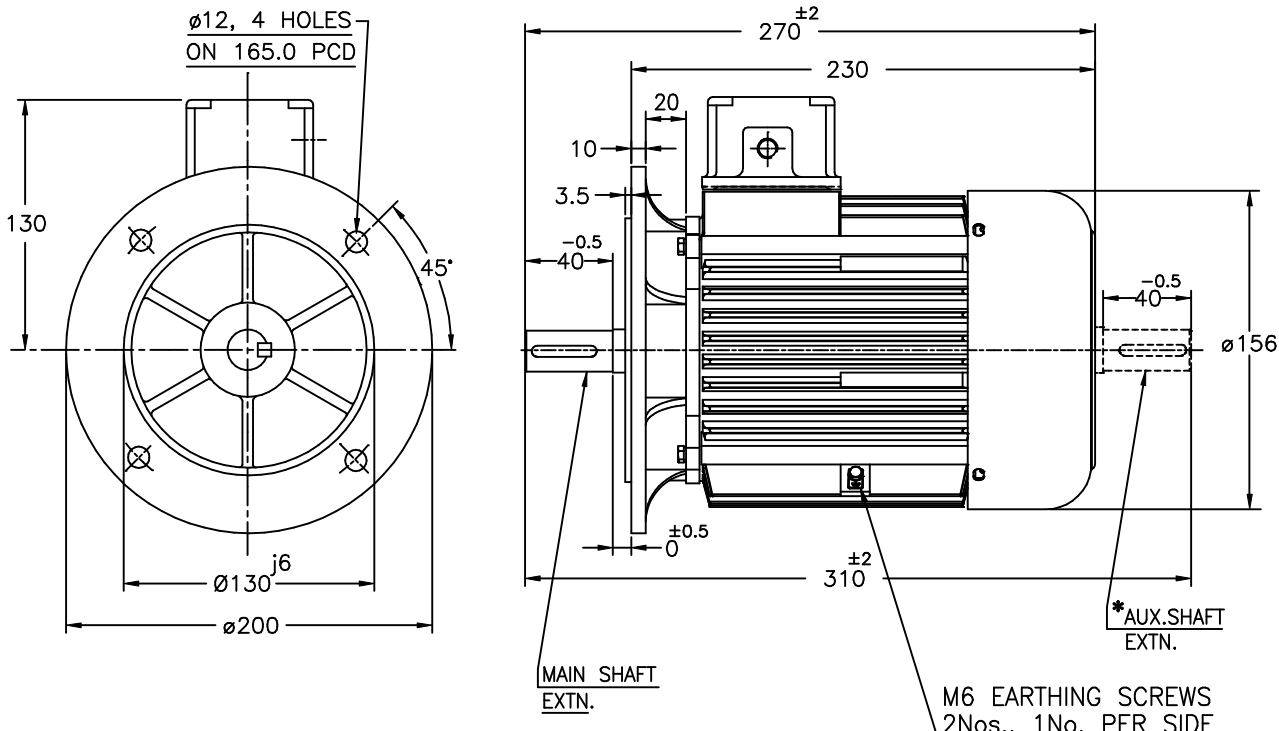
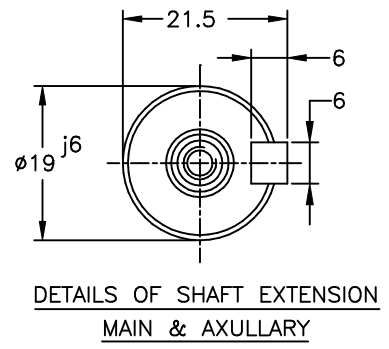
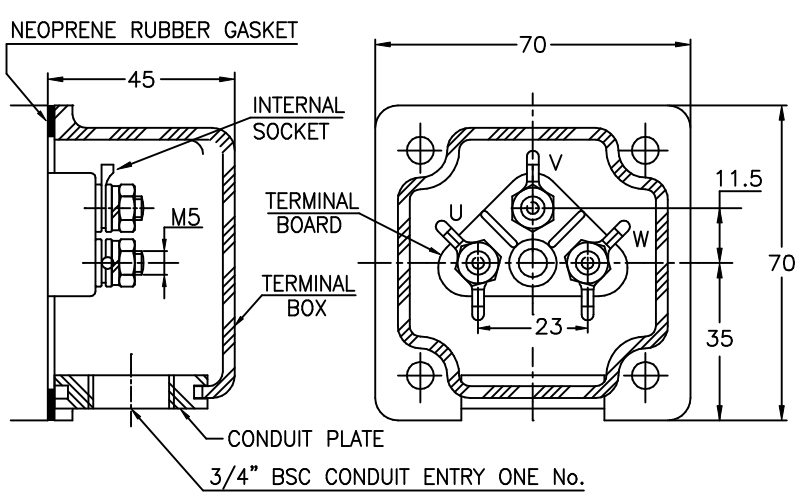


IF IN DOUBT ASK  
ENGINEERING



- NOTE :
1. DIMENSIONS ARE AS PER IS:1231 & 2223
  2. DEGREE OF PROTECTION: IP:55.
  3. TERMINAL BOX CAN BE ROTATABLE THROUGH 360° IN STEPS OF 90°.
  4. KEY & KEYWAY ARE AS PER IS:2048 & TOLERANCE ON KEYWAY IS P9.
  5. PROTECTED CENTRE HOLE AT SHAFT EXTENSION AS PER IS:2540.-M6X16
  6. \* OPTIONAL IN CASE OF DOUBLE SHAFT EXTENSION

TERMINAL BOX ARRANGEMENT



NOTE: MAX. CABLE SIZE : MAIN-1x3Cx6 sqmm.

DRAWING No. ---  
 REV. ZONE  
 FROM dt. ---  
 SIGN & DATE. ---  
 THIS SUPERSEDES  
 THIS IS SUPERSEDED BY

REV.		ZONE		BRIEF RECORD		SIGNATURE		DATE		PRINTS ISSUED TO.	
CUSTOMER / O/A No.						SCALE		DRAWN		Shankar.S.K 05.09.15	
USED ON / TYPE						NTS		CHECKED		Vishnu.S.H 05.09.15	
TITLE:								APPROVED		RNV 05.09.15	
BRC80 (NYLON TERMINAL BOX)								DRG. NO.		KHD61061	
DIMENSION SHEET								SHEET NO.....ONE.....		OF.....ONE.....	
KIRLOSKAR ELECTRIC COMPANY LTD. HUBLI - 580 030 (INDIA)											

