

NOTE :

1. DIMENSIONS ARE AS PER IS:1231 & 2223
2. DEGREE OF PROTECTION: IP:55.
3. TERMINAL BOX CAN BE ROTATABLE THROUGH 360° IN STEPS OF 90°.
4. KEY & KEYWAY ARE AS PER IS:2048 & TOLERANCE ON KEYWAY IS P9.
5. PROTECTED CENTRE HOLE AT SHAFT EXTENSION AS PER IS:2540.-M4X16
6. * OPTIONAL IN CASE OF DOUBLE SHAFT EXTENSION
7. UNLESS OTHERWISE SPECIFIED MOTOR WILL BE WITH SINGLE SHAFT EXTENSION

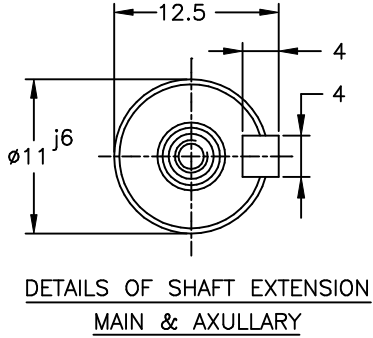
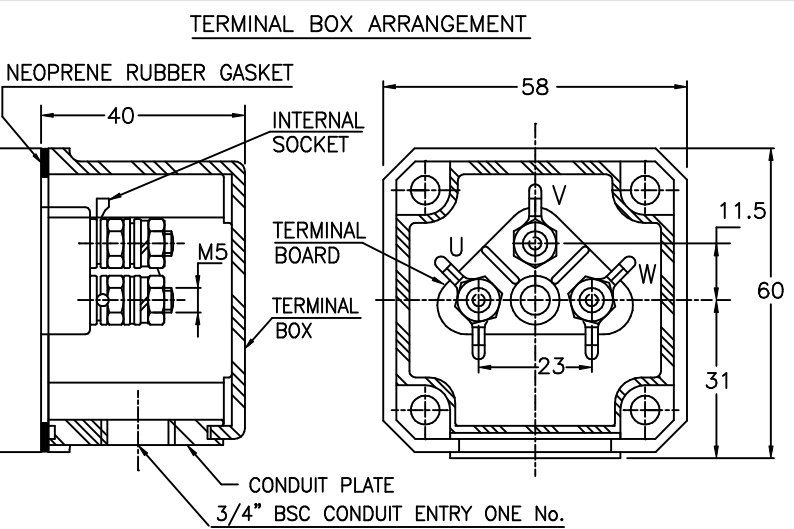
ALL INFORMATION CONTAINED IN THIS DOCUMENT IS CONFIDENTIAL AND THE PROPERTY OF KIRLOSKAR ELECTRIC CO. LTD. REPRODUCTION OF THESE IN ANY FORM IS TO BE DONE WITH THE SPECIFIC PERMISSION OF THE COMPANY.

SIGN & DATE.

FROM dt.

DRAWING No.

THIS SUPERSEDES THIS IS SUPERSEDED BY



NOTE: MAX. CABLE SIZE : MAIN-1x3Cx4 sqmm.

ITEM/TAG No.			
RATING	PROJECT :		
CABLE SIZE	CONSULTANT		JOB No.
R1	TERMINAL BOX POSITION CORRECTED		KKH/SPC 23.5.16
REV.	ZONE	BRIEF RECORD	SIGNATURE DATE PRINTS ISSUED TO.

CUSTOMER / O/A No.	SCALE NTS	DRAWN SHANKAR SK 5.9.15	
USED ON / TYPE BRC63 (NYLON TERMINAL BOX)		CHECKED Vishnu.S.H 5.9.15	
TITLE: DIMENSION SHEET		APPROVED RNV 5.9.15	
		DRG. NO. KHD61059R1	
SHEET NO.....ONE..... OF.....ONE.....			