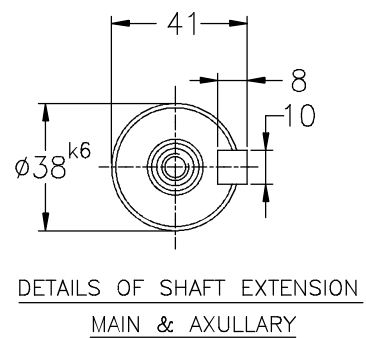
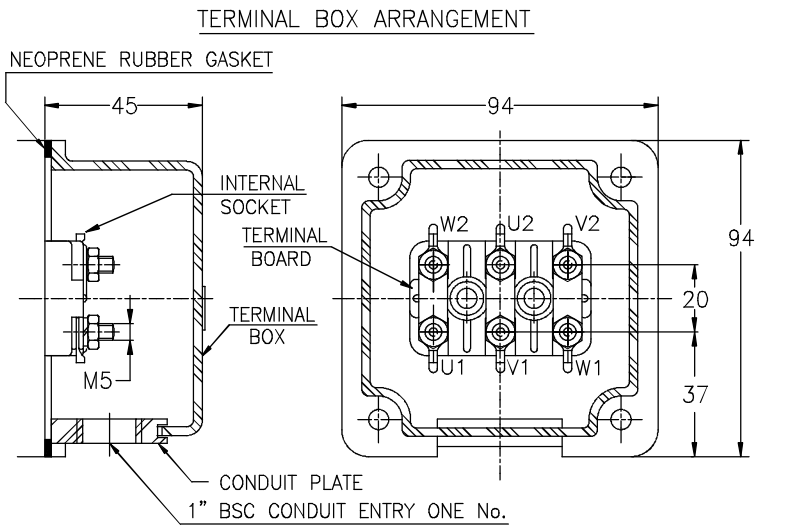


- NOTE :**
1. DIMENSIONS ARE AS PER IS:1231
  2. DEGREE OF PROTECTION: IP:55.
  3. TERMINAL BOX CAN BE ROTATABLE THROUGH 360° IN STEPS OF 90°.
  4. KEY & KEYWAY ARE AS PER IS:2048 & TOLERANCE ON KEYWAY IS P9.
  5. PROTECTED CENTRE HOLE AT SHAFT EXTENSION AS PER IS:2540.-M12X28
  6. \* OPTIONAL IN CASE OF DOUBLE SHAFT EXTENSION
  7. \*\* OPTIONAL IN CASE OF RHS
  8. UNLESS OTHERWISE SPECIFIED TERMINAL BOX LOCATION WILL BE ON TOP SIDE WITH SINGLE SHAFT EXTENSION



NOTE: MAX. CABLE SIZE : MAIN-1x3Cx16 sqmm.

ALL INFORMATION CONTAINED IN THIS DOCUMENT IS CONFIDENTIAL AND THE PROPERTY OF KIRLOSKAR ELECTRIC CO. LTD. REPRODUCTION OF THESE IN ANY FORM IS TO BE DONE WITH THE SPECIFIC PERMISSION OF THE COMPANY.

SIGN & DATE.

FROM dt.

DRAWING No.

ITEM/TAG No.			
RATING	PROJECT :		
CABLE SIZE	CONSULTANT		JOB No.
REV.	ZONE	BRIEF RECORD	SIGNATURE DATE PRINTS ISSUED TO.

CUSTOMER / O/A No.	SCALE NTS	DRAWN Shankar.S.K 28.05.15	
USED ON / TYPE RC132SM (NYLON TERMINAL BOX)		CHECKED Vishnu.S.H 28.05.15	
TITLE: DIMENSION SHEET		APPROVED RNV 28.05.15	
		DRG. NO. KHD61015	
		SHEET NO.....ONE..... OF.....ONE.....	
KIRLOSKAR ELECTRIC COMPANY LTD. HUBLI - 580 030 (INDIA)			

FORM No. 02 201 050 (ISSUE 8)