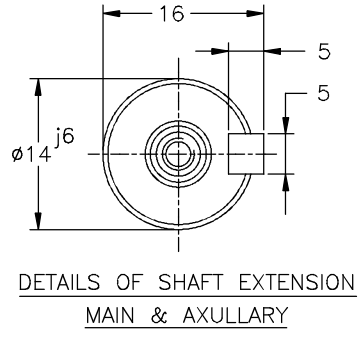
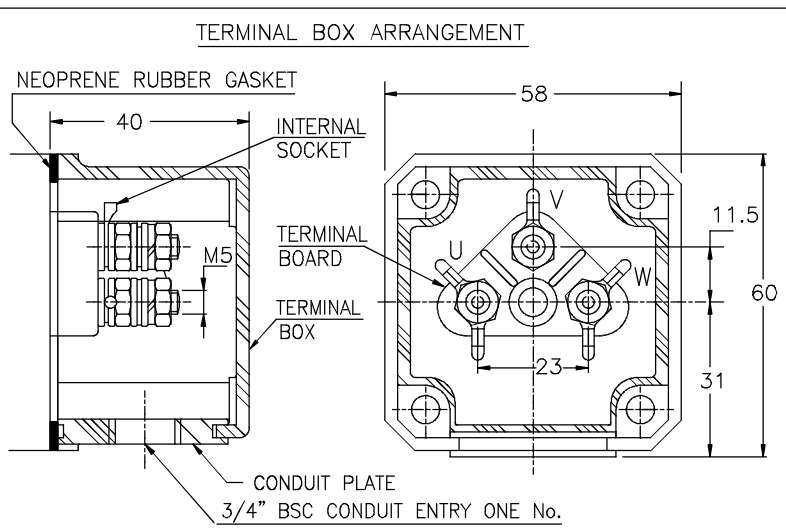


- NOTE :
1. DIMENSIONS ARE AS PER IS:1231
  2. DEGREE OF PROTECTION: IP:55.
  3. TERMINAL BOX CAN BE ROTATABLE THROUGH 360° IN STEPS OF 90°.
  4. KEY & KEYWAY ARE AS PER IS:2048 & TOLERANCE ON KEYWAY IS P9.
  5. PROTECTED CENTRE HOLE AT SHAFT EXTENSION AS PER IS:2540.-M5X12
  6. \* OPTIONAL IN CASE OF DOUBLE SHAFT EXTENSION
  7. \*\* OPTIONAL IN CASE OF RHS
  8. UNLESS OTHERWISE SPECIFIED TERMINAL BOX LOCATION WILL BE ON TOP SIDE WITH SINGLE SHAFT EXTENSION

M6 EARTHING SCREWS  
2Nos., 1No. PER SIDE



NOTE: MAX. CABLE SIZE : MAIN-1x3Cx4 sqmm.

SIGN & DATE.	---	---	ITEM/TAG No.			
	---	---	RATING	PROJECT :		
DRAWING No.	---	---	CABLE SIZE	CONSULTANT	JOB No.	
	---	---	REV.	ZONE	BRIEF RECORD	SIGNATURE DATE PRINTS ISSUED TO.
THIS SUPERSEDES THIS IS SUPERSEDED BY	CUSTOMER / O/A No.		SCALE	DRAWN	Shankar.S.K	28.05.15
	USED ON / TYPE		NTS	CHECKED	Vishnu.S.H	28.05.15
TITLE:			APPROVED		RNV	28.05.15
DIMENSION SHEET			DRG. No.		KHD61010	
KIRLOSKAR ELECTRIC COMPANY LTD. HUBLI - 580 030 (INDIA)			SHEET NO. .... ONE .....		OF ..... ONE .....	