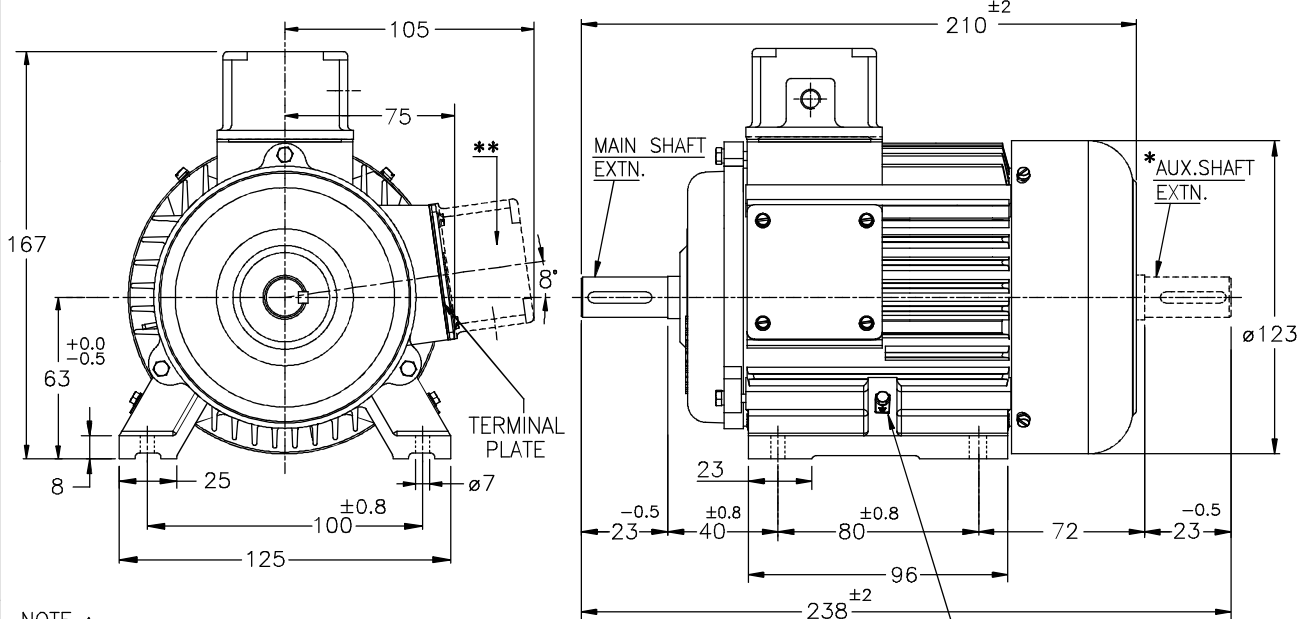


IF IN DOUBT ASK **ENGINEERING**

4 3 2 1

DO NOT SCALE THE DRAWING ALL DIMENSIONS ARE IN mm UNLESS OTHERWISE STATED

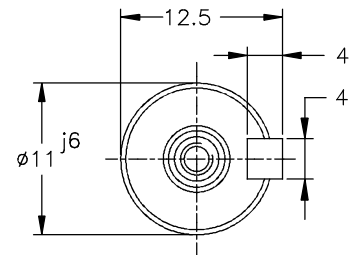
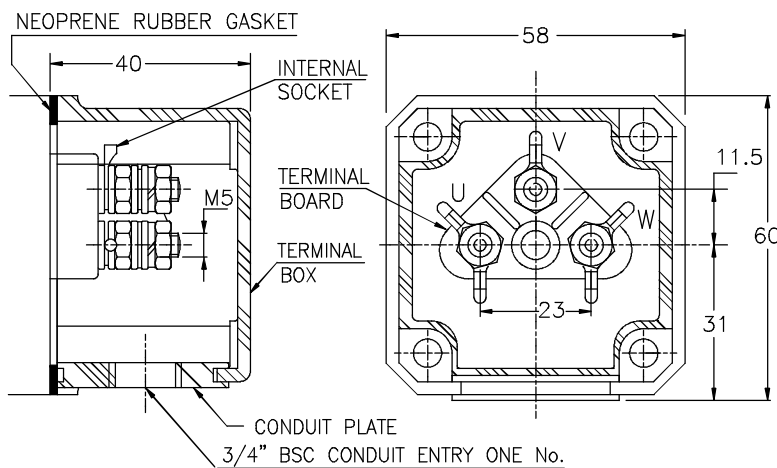


NOTE :

1. DIMENSIONS ARE AS PER IS:1231
2. DEGREE OF PROTECTION: IP:55.
3. TERMINAL BOX CAN BE ROTATABLE THROUGH 360° IN STEPS OF 90°.
4. KEY & KEYWAY ARE AS PER IS:2048 & TOLERANCE ON KEYWAY IS P9.
5. PROTECTED CENTRE HOLE AT SHAFT EXTENSION AS PER IS:2540.-M4X16
6. * OPTIONAL IN CASE OF DOUBLE SHAFT EXTENSION
7. ** OPTIONAL IN CASE OF RHS
8. UNLESS OTHERWISE SPECIFIED TERMINAL BOX LOCATION WILL BE ON TOP SIDE WITH SINGLE SHAFT EXTENSION

M6 EARTHING SCREWS
2Nos., 1No. PER SIDE

TERMINAL BOX ARRANGEMENT



**DETAILS OF SHAFT EXTENSION
MAIN & AXULLARY**

NOTE: MAX. CABLE SIZE : MAIN-1x3Cx4 sqmm.

SIGN & DATE.	--	--		
FROM dt.	--	--		
DRAWING No.	--	--		
REV.	ZONE	BRIEF RECORD		SIGNATURE
CUSTOMER / O/A No.		SCALE		DATE
USED ON / TYPE		NTS		PRINTS ISSUED TO.
TITLE:		RC63 (NYLON TERMINAL BOX)		DRAWN Shankar.S.K 28.05.15
DIMENSION SHEET		APPROVED RVN 28.05.15		DATE 28.05.15
KIRLOSKAR ELECTRIC COMPANY LTD. HUBLI - 580 030 (INDIA)		DRG. No. KHD61009		SHEET NO. ONE OF ONE