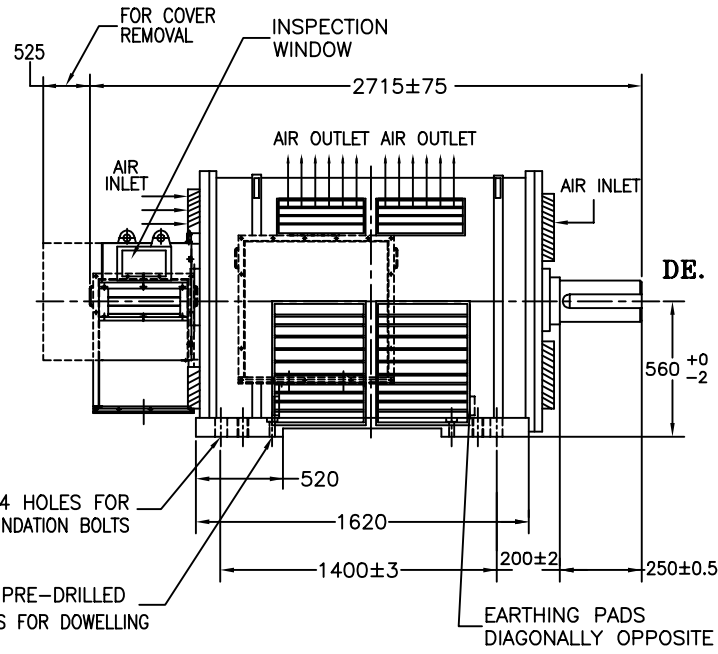
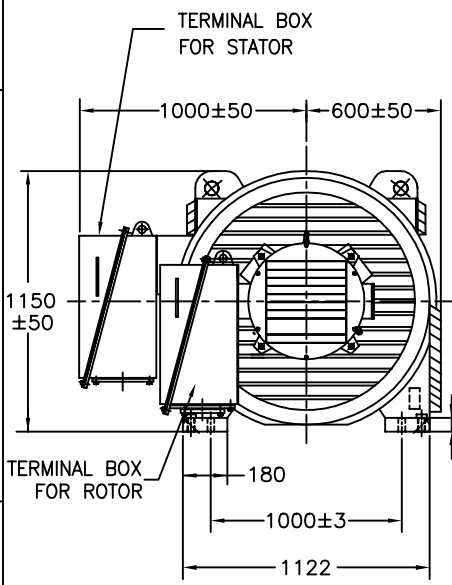


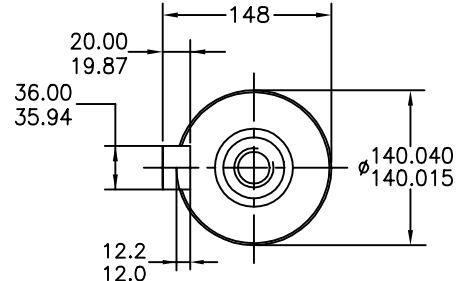
IF IN DOUBT ASK
MME
 ALL INFORMATION CONTAINED IN THIS DOCUMENT IS CONFIDENTIAL AND THE PROPERTY OF KIRLOSKAR ELECTRIC CO. LTD. REPRODUCTION OF THESE IN ANY FORM IS TO BE DONE WITH THE SPECIFIC PERMISSION OF THE COMPANY.
 SIGN & DATE
 FROM dt.
 DRAWING No.
 THIS SUPERSEDES THIS IS SUPERSEDED BY

4 3 2 1
 DO NOT SCALE THE DRAWING ALL DIMENSIONS ARE IN mm UNLESS OTHERWISE STATED

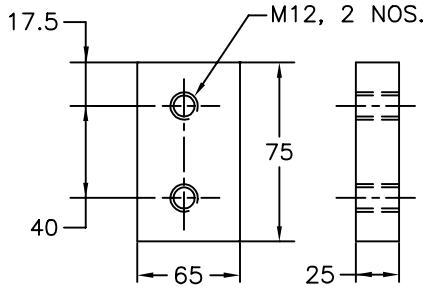


VIEW FROM NDE

SL.NO.	TERMINAL BOX	DRAWING No.
1	STATOR	41102205
2	ROTOR	43506101



SHAFT EXTENSION DETAILS



EARTHING PAD DETAILS

NOTE:-

1. MOTOR CONFORMS TO IS:325
2. DIMENSIONS WITHOUT TOLERANCE, ARE FOR REFERANCE ONLY.
3. MOUNTING IM: 1001
4. ENCLOSURE TO IP:23/IC:01
5. PROTECTED CENTER HOLE "M24X50" DEEP AS PER IS: 2540 AT SHAFT EXTENSION.
6. 4 NO'S OF M24 HOLES ONE ON EACH FOOT PROVIDED FOR JACKING.
7. WEIGHT OF THE MOTOR 6500 kg. (APPROX.)

REV.	ZONE	BRIEF RECORD	SIGNATURE	DATE	PRINTS ISSUED TO.

CUSTOMER / O/A No.	SCALE	DRAWN	Sd/BNH	08/3/06
	NTS	CHECKED	Sd/HCR	08/3/06
USED ON / TYPE		APPROVED	Sd/HCR	08/3/06
kW, KCW 560C3				
VOLTS, 750SRPM.				

TITLE:	DRG. NO.
DIMENSIONAL DRAWING	41102706
SHEET NO.....1..... OF.....1.....	
KIRLOSKAR ELECTRIC COMPANY LTD. BANGALORE - 560055 (INDIA)	

FORM No. 11401037