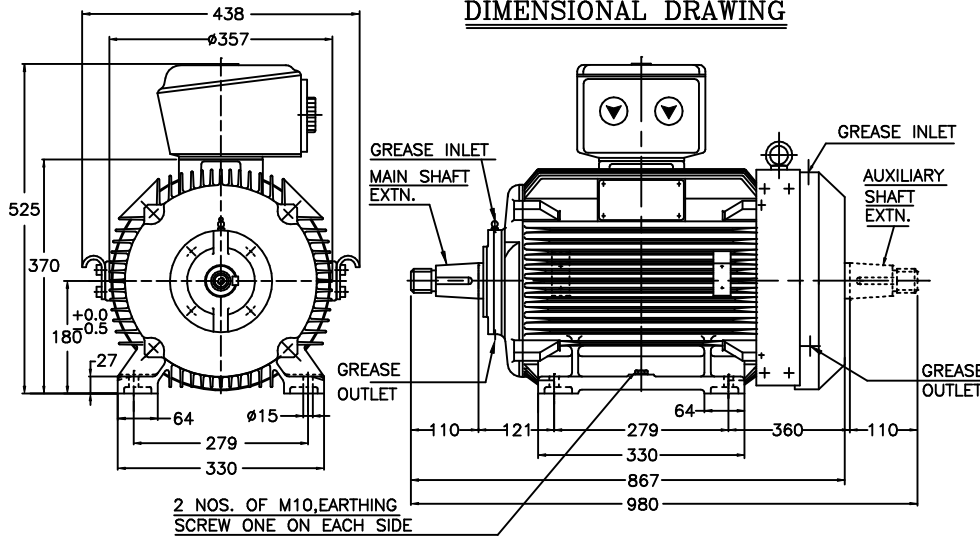


UNMENTIONED TOLERANCES	LINEAR	ABOVE 0	6	315	1000
	DIMENSIONS UPTO	6	315	1000	2000
	(MACHINED) / (TOL.)	±0.2	±0.5	±0.8	±1.2
	ANGLES	± 1/2°			

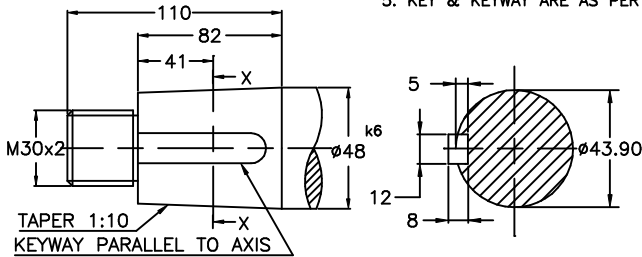
ALL INFORMATION CONTAINED IN THIS DOCUMENT IS CONFIDENTIAL AND THE PROPERTY OF KIRLOSKAR ELECTRIC CO.LTD. REPRODUCING OF THESE IN ANY FORM IS TO BE DONE WITH THE SPECIFIC PERMISSION OF THE COMPANY.

SURFACE ROUGHNESS (MAX) AS PER KSD-02-027	Ra	12.5	25	1.6	3.2	6.3	0.2	0.4	0.6	0.8	0.025	0.05	0.1
	OLD	NEW	UNMENTIONED	UC:	CHAM:	1x45°							

DIMENSIONAL DRAWING



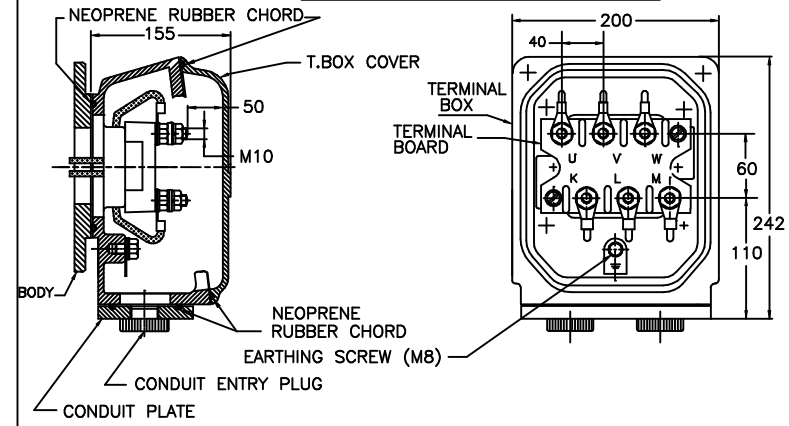
- NOTE : 1. DIMENSIONS ARE AS PER IS:1231
 2. MAIN & AUXILIARY SHAFT EXTENSIONS ARE IDENTICAL.
 3. DEGREE OF PROTECTION: IP:55.
 4. TERMINAL BOX CAN BE ROTATABLE THROUGH 360° IN STEPS OF 180°.
 5. KEY & KEYWAY ARE AS PER IS:2048 & TOLERANCE ON KEYWAY IS P9.



SHAFT EXTENSION DETAILS

SECTION "XX"

TERMINAL BOX ARRANGEMENT



NOTE: MAX. CABLE SIZE : MAIN-2x3Cx70sqmm.

ITEM/TAG No.			
RATING			
CABLE SIZE			
O/A NO.:		CUSTOMER :	
PROJECT :		CONSULTANT :	JOB No. :

Z122654200JR

THIS SUPERSEDES FROM dt AS PER DCN No.....		THIS SUPERSEDED BY FROM dt AS PER DCN No.....	
MATERIAL SPECIFICATION	RAW MATERIAL SIZE	WEIGHT kg	SCALE
---	---	RM FIN.	
CASTING/FAB REF.		No.P.S.:---	NTS
USED ON	ID180L MkII	REDRAWN	CHECKED
	TOP T.BOX WITH TAPER EXTN.	Sd/-	Sd/-
		dt:22/01/2009	dt:22/01/2009
		dt:22/01/2009	dt:22/01/2009



REV.	ZONE	DCN.No.	BRIEF RECORD	SIGNATURE	DATE	PRINTS ISSUED TO
2	--	0122209	REDRAWN IN A NEW FORMAT.	Sd/-	22.01.09	QA
1	A-3	1552299	FRAME DESIGNATION WAS COW CHANGED TO ID.	VSI	09.06.99	PRODUCTION

DIMENSION SHEET

32265498R2