

UNMENTIONED TOLERANCES

LINEAR DIMENSIONS (UP TO 1000)	0.012
LINEAR DIMENSIONS (1000 TO 2000)	0.015
ANGLES	± 1/2°

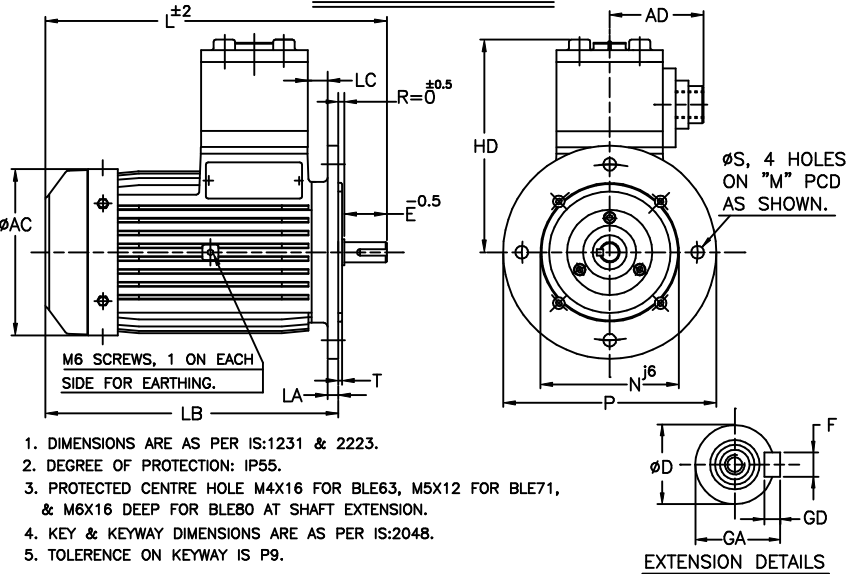
ALL INFORMATION CONTAINED IN THIS DOCUMENT IS CONFIDENTIAL AND THE PROPERTY OF KIRLOSKAR ELECTRIC CO.LTD. REPRODUCING OF THESE IN ANY FORM IS TO BE DONE WITH THE SPECIFIC PERMISSION OF THE COMPANY.

SURFACE ROUGHNESS (MAX) AS PER KSD-02-027

RM	50	2.5	25	1.6	3.2	6.3	0.2	0.4	0.8	0.025	0.05	0.1
OLD	✓	✓	✓	✓	✓	✓	✓	✓	✓	✓	✓	✓
NEW	✓	✓	✓	✓	✓	✓	✓	✓	✓	✓	✓	✓

UC: CHAM: UNMENTIONED

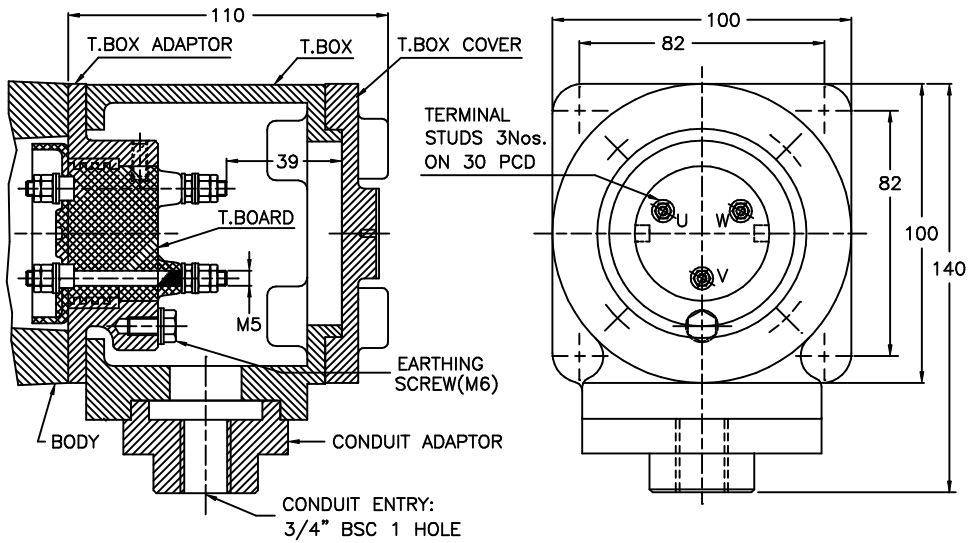
DIMENSION DRAWING



ITEM/TAG No.			
RATING			
CABLE SIZE			
O/A NO.:	CUSTOMER :		
PROJECT :	CONSULTANT :	JOB No. :	

SL	Frame	D	E	F	L	M	N ^{j6}	P	øS	T	øAC	GA	GD	HD	LA	LB	AD	LC
1	BLE 63	11 ^{j6}	23	4	265	115.0	95	140	10	3	127	12.5	4	186	9	242	90	14
2	BLE 71	14 ^{j6}	30	5	285	130.0	110	160	10	3.5	140	16	5	195	9	255	90	18
3	BLE 80	19 ^{j6}	40	6	315	165.0	130	200	12	3.5	157	21.5	6	201	10	275	90	15

TERMINAL BOX ARRNGEMENT



Z122633100JR

THIS SUPERSEDES FROM dt AS PER DCN No.....
 THIS SUPERSEDED BY FROM dt AS PER DCN No.....

MATERIAL SPECIFICATION	RAW MATERIAL SIZE	WEIGHT kg	SCALE	
---	---	RM FIN.		
CASTING/FAB REF. ---		No.P.S.:---	NTS	
USED ON	REDRAWN	CHECKED	STANDARD	APPROVED
BLE63 TO 80	Sd/-	Sd/-	Sd/-	Sd/-
TITLE:	dt.22/01/2009	dt.22/01/2009	dt.22/01/2009	dt.22/01/2009
DIMENSION SHEET	32263398R1			
SHEET ONE OF ONE				

KIRLOSKAR ELECTRIC COMPANY LTD. HUBLI-580030 (INDIA)

1	---	0122209	REDRAWN IN A NEW FORMAT.	Sd/-	22.01.09	QA PRODUCTION MMD
REV.	ZONE	DCN.No.	BRIEF RECORD	SIGNATURE	DATE	PRINTS ISSUED TO
8	7	6	5			

FORM No. 02 201 02B (ISSUE 7)