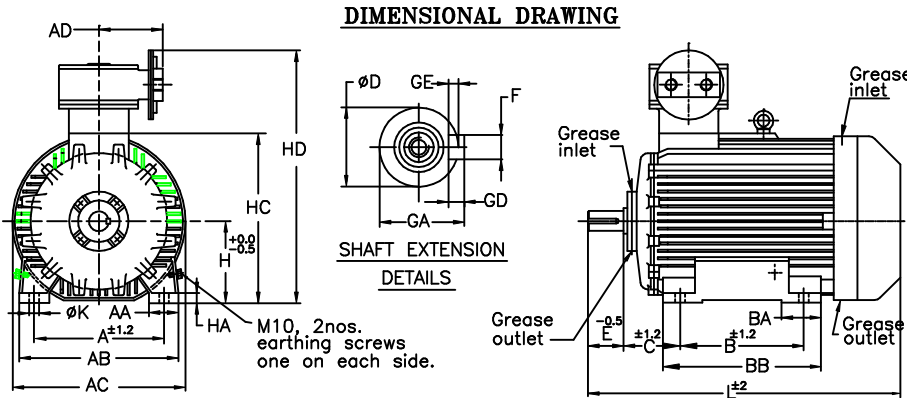


UNMENTIONED TOLERANCES
 LINEAR ABOVE 0 6 315 1000
 DIMENSIONS(UPTO 6 315 1000 2000
 (MACHINED)TOL. ±0.2 ±0.5 ±0.8 ±1.2
 ANGLES ± 1/2°

ALL INFORMATION CONTAINED IN THIS DOCUMENT IS CONFIDENTIAL AND THE PROPERTY OF KIRLOSKAR ELECTRIC CO.LTD. REPRODUCING OF THESE IN ANY FORM IS TO BE DONE WITH THE SPECIFIC PERMISSION OF THE COMPANY.

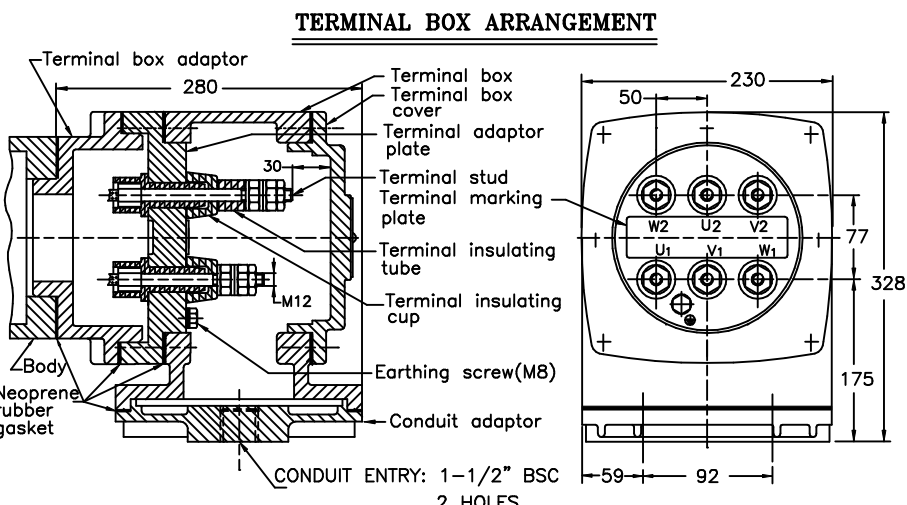
SURFACE ROUGHNESS (MAX) AS PER KSD-02-027
 Ra Um 50 12.5 25 1.6 3.2 6.3 0.2 0.4 0.8 1.6 3.2 6.3 0.025 0.05 0.1
 OLD NEW
 UNMENTIONED
 CHAM: UC: RAD: 8 7 6 5



NOTE:-
 1. DIMENSIONS ARE AS PER IS:1231.
 2. DEGREE OF PROTECTION IP:55
 3. PROTECTED CENTRE HOLE "M20 X 40" DEEP AT SHAFT EXTENSION.
 4. KEY & KEYWAY DIMENSIONS ARE AS PER IS:2048.
 5. TOLERANCE ON KEYWAY IS P9.

ITEM/TAG No.				
RATING				
CABLE SIZE				
O/A NO.:	CUSTOMER :			
PROJECT :	CONSULTANT :		JOB No. :	

4	LE225M-4,6&8P	356	80	445	515	215	311	70	356	149	60m6	140	18	64	11	7	225	24	490	770	19	875
3	LE225M-2P										55m6	110	16	59	10	6						845
2	LE225S-4,6&8P	356	80	445	515	215	286	70	331	149	60m6	140	18	64	11	7	225	24	490	770	19	850
1	LE225S-2P										55m6	110	16	59	10	6						820
SL.NO	FRAME	A	AA	AB	AC	AD	B	BA	BB	C	ØD	E	F	GA	GD	GE	H	HA	HC	HD	K	L



NOTE: MINIMUM CLEARANCE & CREEPAGE DISTANCES ARE AS PER IS:4821.
 MAXIMUM CABLE SIZE MAIN: 2 OF 3.5Cx50 sqmm.

Z122632100JR

THIS SUPERSEDES FROM dt AS PER DCN No.....
 THIS SUPERSEDED BY FROM dt AS PER DCN No.....

MATERIAL SPECIFICATION	RAW MATERIAL SIZE	WEIGHT kg	SCALE	NTS
		RM FIN.		
CASTING/FAB REF.	No.P.S.:			
USED ON	REDRAWN	CHECKED	STANDARD	APPROVED
	Sd/-	Sd/-	Sd/-	Sd/-
	dt:22/01/2009	dt:22/01/2009	dt:22/01/2009	dt:22/01/2009

TITLE: **LE225S & M**
DIMENSION SHEET
32263298R1

SHEET ONE OF ONE
 KIRLOSKAR ELECTRIC COMPANY LTD. HUBLI-580030 (INDIA)

FORM No. 02 201 02B (ISSUE 7)