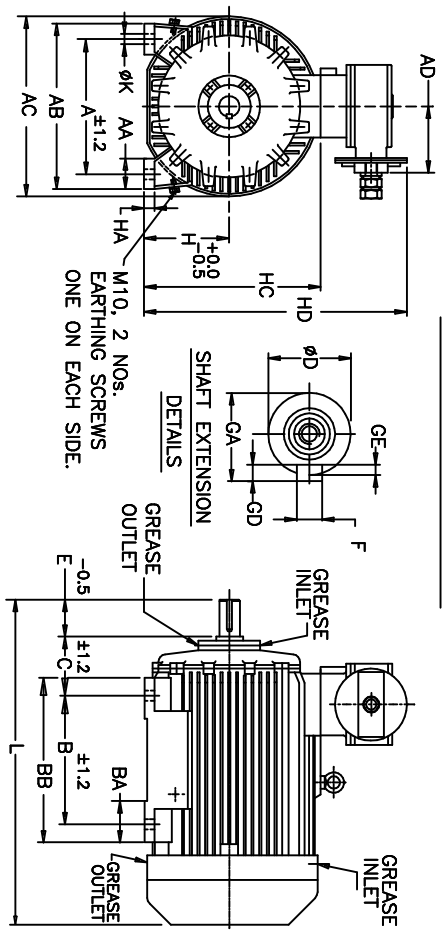


UNMENTIONED TOLERANCES					
LINEAR DIMENSIONS (MACHINED)	ABOVE	0	6	315	1000
UPTO	6	315	1000	2000	
TOL	±0.2	±0.5	±0.8	±1.2	
ANGLES					
	± 1/2°				

ALL INFORMATION CONTAINED IN THIS DOCUMENT IS CONFIDENTIAL AND THE PROPERTY OF KIRLOSKAR ELECTRIC CO.LTD. REPRODUCING OF THESE IN ANY FORM IS TO BE DONE WITH THE SPECIFIC PERMISSION OF THE COMPANY.

SURFACE ROUGHNESS (MAX) AS PER KSD-02-027						
Ra μ m	50	12.5	25	1.6	3.2	6.3
OLD	▽					▽▽
NEW	▽▽					▽▽▽

DIMENSIONAL DRAWING

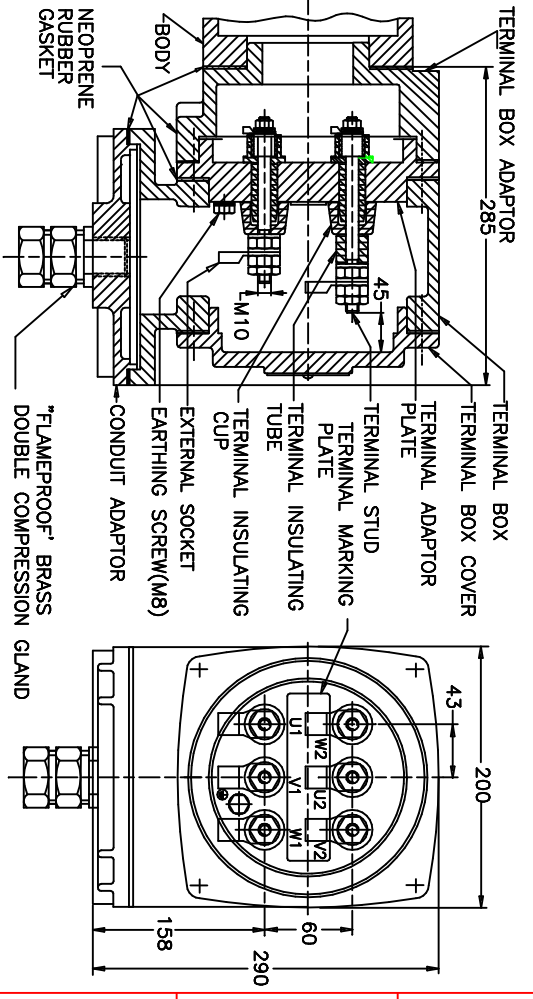


- NOTE:**
1. DIMENSIONS ARE AS PER IS:1231
 2. DEGREE OF PROTECTION: IP55
 3. PROTECTED CENTRE HOLE M20X40 DEEP FOR LF200 AND M16X32 FOR LF180 AT SHAFT EXTENSION AS PER IS:2540
 4. KEY & KEYWAY ARE AS PER IS:2048 AND TOLERANCE ON KEYWAY IS P9

ITEM/TAG No. :	
RATING :	
CABLE SIZE :	
O/A No. :	CUSTOMER :
PROJECT :	CONSULTANT:
	JOB No. :

LF200	318	76	395	415	213	305	76	381	133	55m6	110	16	59	10	7	200	25	420	720	19	785
LF180	279	64	313	365	213	279	64	343	121	48k6	110	14	51.5	9	6	180	25	375	665	15	725
FRAME	A	AA	AB	AC	AD	B	BA	BB	C	ØD	E	F	GA	GD	GE	H	HA	HC	HD	K	L

TERMINAL BOX ARRANGEMENT



- NOTE:**
1. MINIMUM ELECTRICAL CLEARANCE & CREEPAGE DISTANCE ARE AS PER IS:4821-1968, TABLE-2
 2. MAXIMUM CABLE SIZE 1 X 3.5C X 35sq.mm.

RAD:	UC:	CHAM:
REV.	ZONE	DN.No.
2	D-4	1312209
1		1992208
8		

THIS SUPERSEDES FROM dt. AS PER DON No.

MATERIAL SPECIFICATION RAW MATERIAL SIZE

CASTING/FAB REF.

USED ON LF180 & 200

TITLE: DIMENSION SHEET

KIRLOSKAR ELECTRIC COMPANY LTD. HUBLI-580030 (INDIA)

NO.P.S.: ...

CHECKED STANDARD APPROVED

SCALE NTS

32227108 R2

SHEET ONE OF ONE

Z122271200MD