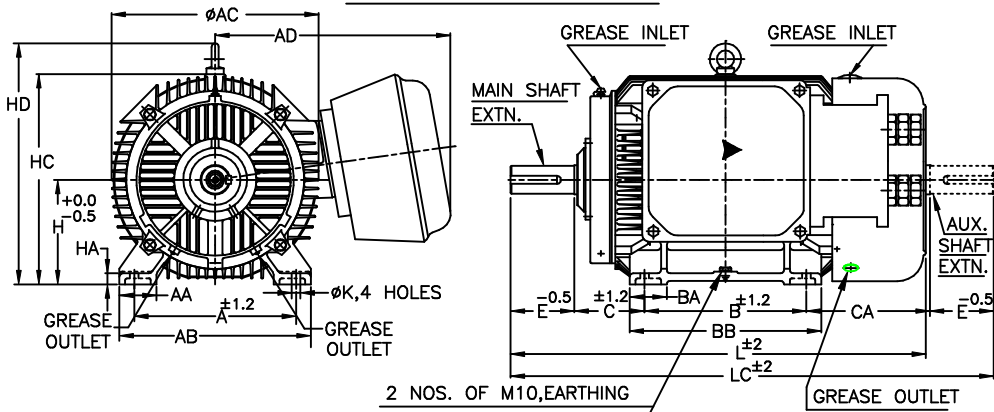


UNMENTIONED TOLERANCES
 LINEAR ABOVE 0 6 315 1000
 DIMENSIONS(UPTO 6 315 1000 2000
 (MACHINED)TOL. ±0.2 ±0.5 ±0.8 ±1.2
 ANGLES ± 1/2°

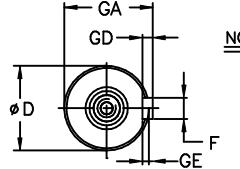
ALL INFORMATION CONTAINED IN THIS DOCUMENT IS CONFIDENTIAL AND THE PROPERTY OF KIRLOSKAR ELECTRIC CO.LTD. REPRODUCING OF THESE IN ANY FORM IS TO BE DONE WITH THE SPECIFIC PERMISSION OF THE COMPANY.

SURFACE ROUGHNESS (MAX) AS PER KSD-02-027
 50 12.5 25 1.6 3.2 6.3 12.5 25 50 100 200 400 800 1600 3200
 OLD NEW
 UNMENTIONED
 CHAM: R0.5
 UC:
 RAD:
 1 8 7 6 5

DIMENSIONAL DRAWING

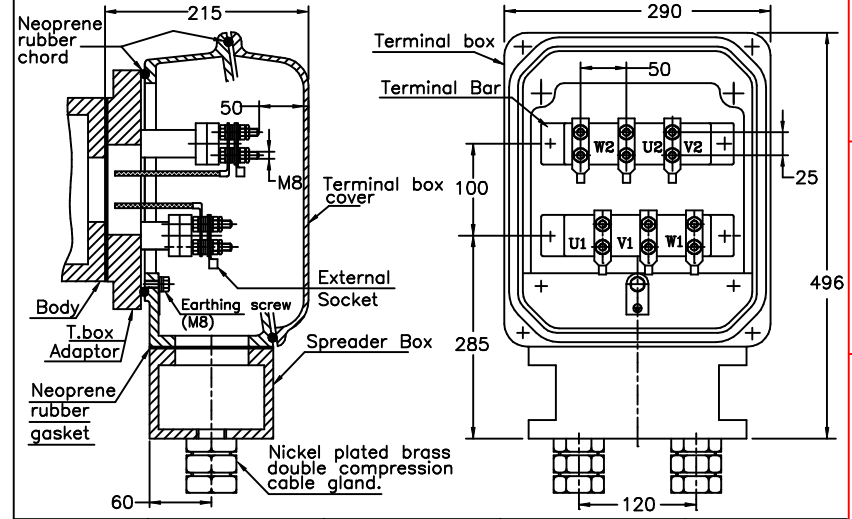


2 NOS. OF M10,EARTHING SCREWS ONE ON EACH SIDE



- NOTE :**
1. DIMENSIONS ARE AS PER IS:1231.
 2. MAIN & AUXILIARY SHAFT EXTENSIONS ARE IDENTICAL.
 3. DEGREE OF PROTECTION, IP:55.
 4. TOLERANCE ON 'D' : k6 UPTO & INCLUDING Ø48 : m6 INCLUDING & ABOVE Ø55
 5. PROTECTED CENTRE HOLE AT SHAFT EXTENSION AS PER IS:2540. "M16 X 32" FOR 'D'- Ø48 "M20 X 40" FOR 'D'- Ø55 & Ø60
 6. MINIMUM ELECTRICAL CLEARANCE AND CREEPAGE DISTANCES ARE AS PER TABLE-1 OF IS:6381 FOR 'e' TYPE AND AS PER TABLE-1 OF IS:9628 FOR 'n'TYPE.
 7. KEY & KEYWAY ARE AS PER IS:2048 & TOLERANCE ON KEY IS P9.
 - *8. BELOW MENTIONED "HA" DIMENSIONS ARE MINIMUM.
 9. CABLE SIZE 2X3.5CX70sq.mm.

TERMINAL BOX ARRANGEMENT



ITEM/TAG No.			
RATING			
CABLE SIZE			
O/A NO.:	CUSTOMER :		
PROJECT :	CONSULTANT :		JOB No. :

SL. NO.	FRAME	POLES	A	AA	AB	ØAC	AD	B	BA	BB	C	CA	ØD	E	F	GA	GD	GE	H	HA	HC	HD	ØK	L	LC
1	eSC/nSC 180M	2,4,6 & 8	279	64	330	357	425	241	64	292	121	205	48	110	14	51.5	9	5.5	180	19	362	415	15	679	787
2	eSC/nSC 180L	2,4,6 & 8					279	292		330														717	825
3	eSC/nSC 200L	2,4,6 & 8	318	90	390	413	448	305	80	355	133	225	55	110	16	59	10	6	200	25	410	495	19	775	883
4	eSC/nSC 225S	2					286			331			55	110	16	59	10	6						800	908
5	eSC/nSC 225S	4,6 & 8											60	140	18	64	11	7						830	968
6	eSC/nSC 225M	2	356	76	444	470	478		70		149	253	55	110	16	59	10	6						825	933
7	eSC/nSC 225M	4,6 & 8					311			356			60	140	18	64	11	7						855	993

Z122240100JX

THIS SUPERSEDES FROM dt AS PER DCN No.....
 THIS SUPERSEDED BY FROM dt AS PER DCN No.....

MATERIAL SPECIFICATION	RAW MATERIAL SIZE	WEIGHT kg	SCALE	NTS
		RM FIN.		

CASTING/FAB REF. No.P.S.-
 USED ON REDRAWN CHECKED STANDARD APPROVED
eSC/nSC180 - 225 sd/- sd/- sd/- sd/-
 DOUBLE ENTRY d:22/01/09 d:22/01/09 d:22/01/09 d:22/01/09

TITLE: **DIMENSION SHEET** 32224099R1
 SHEET ONE OF ONE

KIRLOSKAR ELECTRIC COMPANY LTD. HUBLI-580030 (INDIA)

REV.	ZONE	DCN.No.	BRIEF RECORD	SIGNATURE	DATE	PRINTS ISSUED TO
1	-	0122209	REDRAWN IN A NEW FORMAT.			QA PRODUCTION MMD