

UNMENTIONED TOLERANCES

LINEAR DIMENSIONS (MACHINED) TOL.	ABOVE 0	6	315	1000
ANGLES	UP TO	6	315	1000
			±0.2	±0.5
			±0.8	±1.2
			± 1/2°	

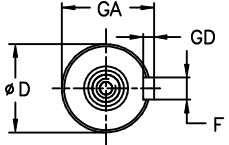
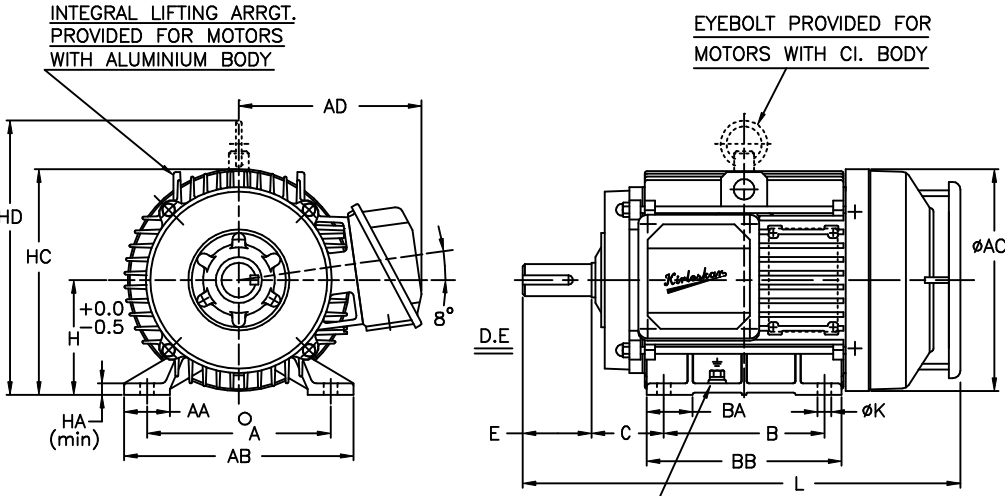
ALL INFORMATION CONTAINED IN THIS DOCUMENT IS CONFIDENTIAL AND THE PROPERTY OF KIRLOSKAR ELECTRIC CO.LTD. REPRODUCING OF THESE IN ANY FORM IS TO BE DONE WITH THE SPECIFIC PERMISSION OF THE COMPANY.

SURFACE ROUGHNESS (MAX) AS PER KSD-02-027

Ro	50	12.5	25	1.6	3.2	6.3	0.2	0.4	0.6	0.8	0.025	0.05	0.1
OLD	✓	✓	✓	✓	✓	✓	✓	✓	✓	✓	✓	✓	✓
NEW	✓	✓	✓	✓	✓	✓	✓	✓	✓	✓	✓	✓	✓

CHAM: _____
 UC: _____
 RAD: _____

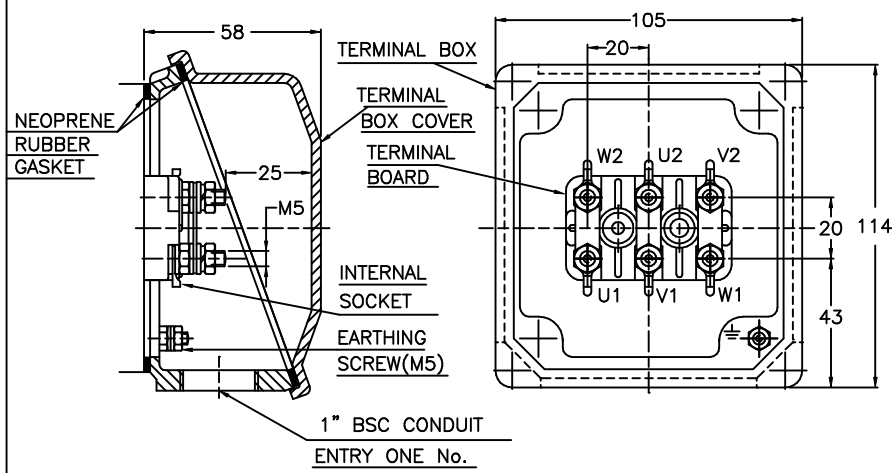
DIMENSIONAL DRAWING



- NOTE :
- DIMENSIONS ARE AS PER IS:1231
 - DEGREE OF PROTECTION: IP:55.
 - TOLERANCE ON 'D' : j6 FOR Ø28 & k6 FOR Ø38.
 - PROTECTED CENTRE HOLE AT SHAFT EXTENSION AS PER IS:2540.
 "M10 X 24" FOR 'D'- Ø28
 "M12 X 28" FOR 'D'- Ø38
 - TERMINAL BOX CAN BE ROTATABLE THROUGH 360° IN STEPS OF 90°.
 - BELOW MENTIONED 'HA' DIMENSIONS ARE MINIMUM.
 - KEY & KEYWAY ARE AS PER IS:2048 & TOLERANCE ON KEYWAY IS P9.

SL. NO	FRAME	A	AA	AB	ØAC	AD	B	BA	BB	C	D	E	F	GA	GD	H	HA	HC	HD	ØK	L
1	PMR 112M	190	40	230	218	170	140	40	180	70	28	60	8	31	7	112	10	221	270	12	405
2	PMR 132S	216	40	256	260	192	140	40	180	89	38	80	10	41	8	132	12	262	308	12	462
3	PMR 132M	216	40	256	260	192	178	40	218	89	38	80	10	41	8	132	12	262	308	12	502

TERMINAL BOX ARRANGEMENT



ITEM/TAG No.			
RATING			
CABLE SIZE			
O/A NO.:	CUSTOMER :		
PROJECT :	CONSULTANT :		JOB No. :

Z122230000JX

THIS SUPERSEDES FROM dt. AS PER DCN No.		THIS SUPERSEDED BY FROM dt. AS PER DCN No.		
MATERIAL SPECIFICATION	RAW MATERIAL SIZE	WEIGHT kg		
—	—	RM FIN.		
CASTING/FAB REF.	—	No.P.S.: —	SCALE NTS	
USED ON	DRAWN	CHECKED	STANDARD	APPROVED
PMR112 & 132	sd/-	sd/-	sd/-	sd/-
	dt.10.06.99	dt.10.06.99	dt. 10.06.99	dt. 10.06.99

TITLE: **DIMENSION SHEET**
 32223099
 KIRLOSKAR ELECTRIC COMPANY LTD. HUBLI-580030 (INDIA)

REV.	ZONE	DCN.No.	BRIEF RECORD	SIGNATURE	DATE	PRINTS ISSUED TO
8						
7						
6						
5						

QA PRODUCTION MMD