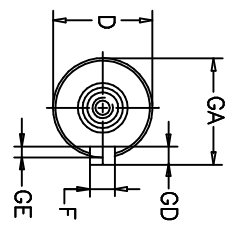
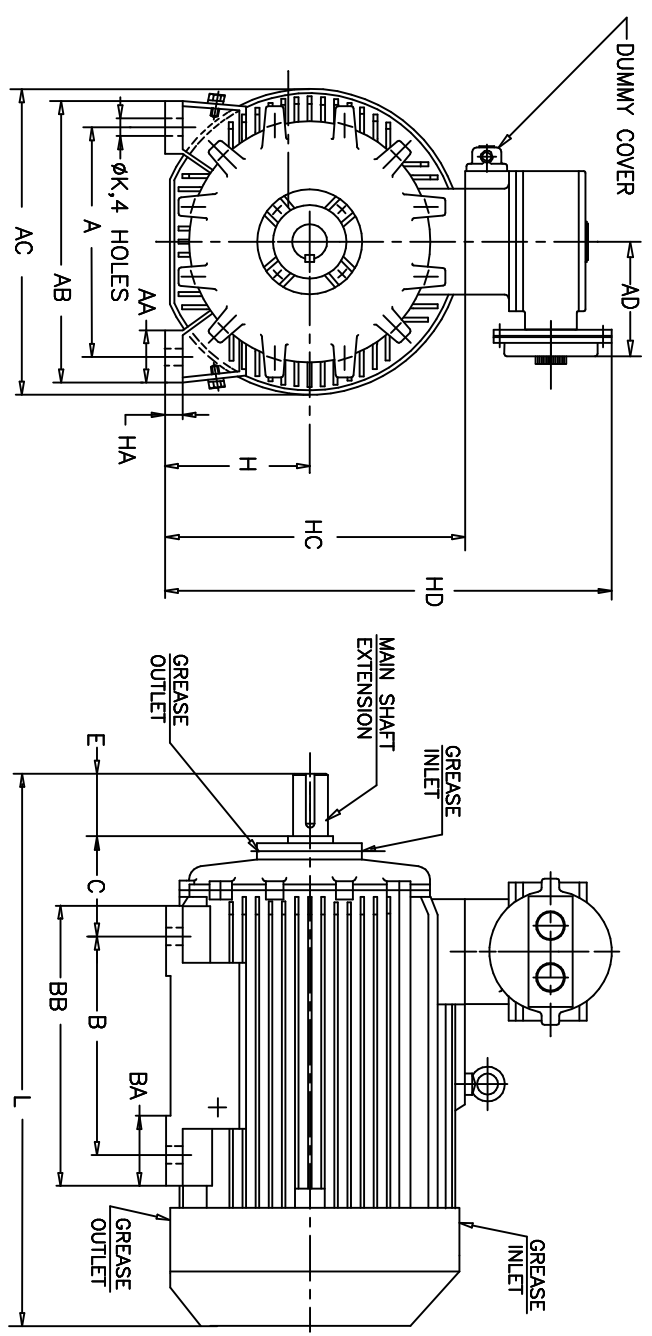


IF IN DOUBT ASK ..... ENGINEERING R DO NOT SCALE THE DRAWING 7 6 5 4 3 2 1 REMOVE ALL BURRS AND SHARP EDGES

UNMENTIONED TOLERANCES					
LINEAR DIMENSIONS (MACHINED)	ABOVE	0	6	315	1000
	UPTO	6	315	1000	2000
(MACHINED) TOL		±0.2	±0.5	±0.8	±1.2
ANGLES		± 1/2°			

ALL INFORMATION CONTAINED IN THIS DOCUMENT IS CONFIDENTIAL AND THE PROPERTY OF KIRLOSKAR ELECTRIC CO.LTD, REPRODUCING OF THESE IN ANY FORM IS TO BE DONE WITH THE SPECIFIC PERMISSION OF THE COMPANY.

SURFACE ROUGHNESS (MAX) AS PER KSD-02-027														
Re	um	50	12.5	25	1.6	3.2	6.3	0.2	0.4	0.6	0.8	0.025	0.05	0.1
OLD		▽	▽	▽	▽	▽	▽	▽	▽	▽	▽	▽	▽	▽
NEW		▽	▽	▽	▽	▽	▽	▽	▽	▽	▽	▽	▽	▽



- NOTE:-
- DIMENSIONS ARE AS PER IS:1231.
  - DEGREE OF PROTECTION: IP:55.
  - TOLERANCE ON H:- FOR 250 -0.50  
FOR 280 AND 315 -1.00  
TOLERANCE ON "D" :- m6.
  - PROTECTED CENTER HOLE "M20x40" DEEP FOR "D" 60 TO 80 & M24x50 DEEP FOR "D" 90 AS PER IS: 2540 AT SHAFT EXTENSION.

LF315L	4,6&8	508	105	620	280	508	160	620	216	90	170	25	95	14	9	315	33	660	1050	28	1320	
LF315L	2	508	105	620	280	508	160	620	216	70	140	20	74.5	12	7.5	315	33	660	1050	28	1290	
LF315S	4,6&8	508	105	620	280	406	160	518	216	80	170	22	85	14	9	315	33	660	1050	28	1170	
LF315S	2	508	105	620	280	406	160	518	216	65	140	18	69	11	7	315	33	660	1050	28	1140	
LF280M	4,6&8	457	90	546	280	419	88	480	190	75	140	20	79.5	12	7.5	280	33	590	975	24	1095	
LF280M	2	457	90	546	280	419	88	480	190	65	140	18	69	11	7	280	33	590	975	24	1095	
LF280S	4,6&8	457	90	546	280	368	88	429	190	75	140	20	79.5	12	7.5	280	33	590	975	24	1044	
LF280S	2	457	90	546	280	368	88	429	190	65	140	18	69	11	7	280	33	590	975	24	1044	
LF250M	4,6&8	406	85	494	280	349	80	405	168	65	140	18	69	11	7	250	24	535	925	24	935	
LF250M	2	406	85	494	280	349	80	405	168	60	140	18	64	11	7	250	24	535	925	24	935	
FRAME	POLE	A	AA	AB	AC	AD	B	BA	BB	C	D	E	F	GA	GD	GE	H	HA	HC	HD	K	L

Z122169000MK

REV.	ZONE	DN.No.	BRIEF RECORD	SIGNATURE	DATE	PRINTS ISSUED TO
8						
7						
6						
5						

THIS SUPERSEDES ..... FROM dt. .... AS PER DON No. .... THIS SUPERSEDED BY ..... FROM dt. .... AS PER DON No. ....

MATERIAL SPECIFICATION RAW MATERIAL SIZE

CASTING/FAB REF. LK 250 TO 315

USED ON

MARKETING PRODUCTION

QA

TITLE: DIMENSIONAL DRAWING

KIRLOSKAR ELECTRIC COMPANY LTD. HUBLI-580030 (INDIA)

32216909

322169000MK

FORM No. 02 201 028 (ISSUE 7)