

UNMENTIONED TOLERANCES

LINEAR DIMENSIONS (MACHINED)	ABOVE	0	6	315	1000
	UPTO	6	315	1000	2000
	TOL	±0.2	±0.5	±0.8	±1.2
ANGLES		± 1/2°			

ALL INFORMATION CONTAINED IN THIS DOCUMENT IS CONFIDENTIAL AND THE PROPERTY OF KIRLOSKAR ELECTRIC CO.LTD, REPRODUCING OF THESE IN ANY FORM IS TO BE DONE WITH THE SPECIFIC PERMISSION OF THE COMPANY.

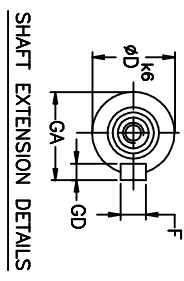
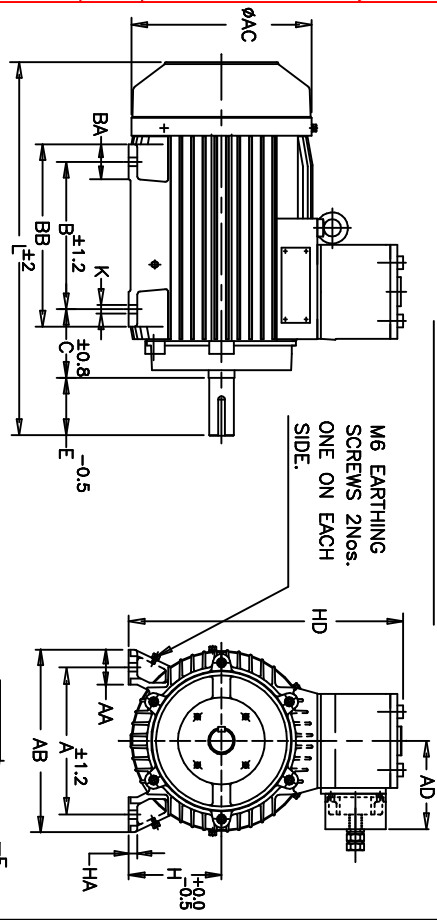
SURFACE ROUGHNESS (MAX) AS PER KSD-02-027

Re	um	50	12.5	25	1.6	3.2	6.3	0.2	0.4	0.6	0.8	0.025	0.05	0.1
OLD		▽	▽	▽	▽	▽	▽	▽	▽	▽	▽	▽	▽	▽
NEW		▽	▽	▽	▽	▽	▽	▽	▽	▽	▽	▽	▽	▽

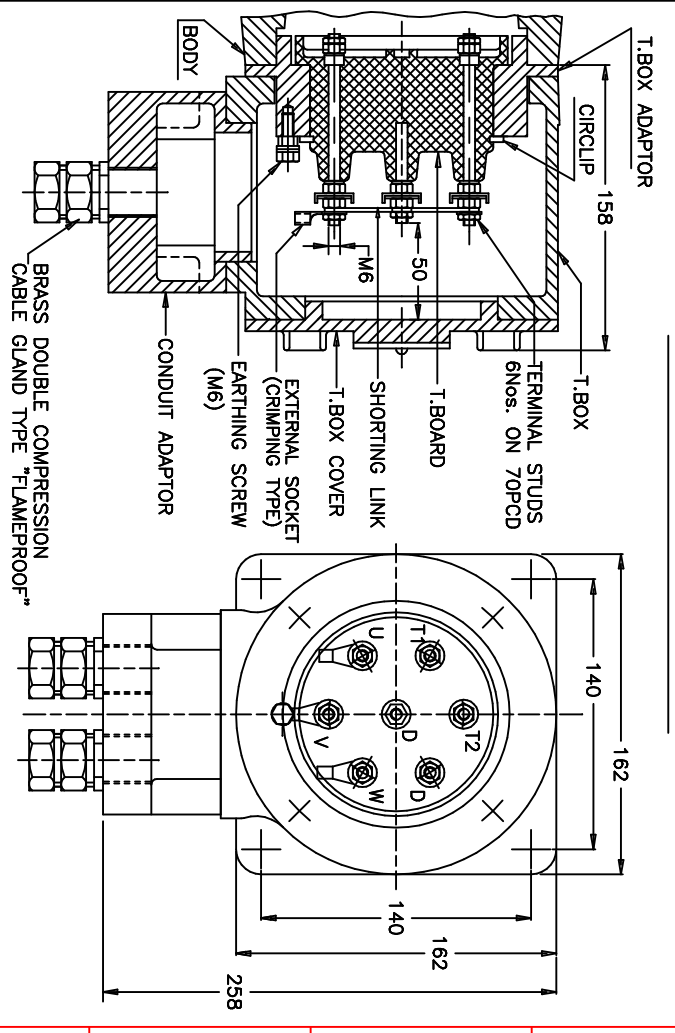
UNMENTIONED

RAD: — UC: — CHAM: —

DIMENSIONAL DRAWING



TERMINAL BOX ARRANGEMENT



SL	FRAME	A	AA	AB	AC	AD	B	BA	BB	C	D	E	F	GA	GD	H	HA	HD	ØK	L
1	LF112	190	40	230	219	185	140	40	180	70	28	60	8	31	7	112	15	398	12	445
2	LF132S	216	40	256	260	185	140	40	180	89	38	80	10	41	8	132	15	440	12	492
3	LF132M						178		218											530
4	LF160M	254	60	314	311	185	210	60	270	108	42	110	12	45	8	160	15	488	15	601
5	LF160L						254		314											185

- NOTE:
1. TERMINAL MARKING :- U V W FOR MAIN :- T1 & T2 FOR THERMISTOR :- D=DUMMY.
 2. CABLE SIZE :- 1X3CX25Sq.mm FOR MAIN 1X2CX4Sq.mm FOR THERMISTOR
 3. DIMENSIONS ARE AS PER IS:1231
 4. DEGREE OF PROTECTION: IP55
 5. PROTECTED CENTRE HOLE M12X28 FOR LF132 AND M16X32 FOR LF160 AT SHAFT EXTENSION AS PER IS:2540
 6. KEY & KEYSWAY ARE AS PER IS:2048 AND TOLERANCE ON KEYSWAY IS P9

Z122165000MK

REV.	ZONE	DON.No.	BRIEF RECORD	SIGNATURE	DATE	PRINTS ISSUED TO
8			7	6	5	4

THIS SUPERSEDES FROM dt. AS PER DON No. THIS SUPERSEDED BY FROM dt. AS PER DON No.

MATERIAL SPECIFICATION RAW MATERIAL SIZE WEIGHT kg

CASTING/FAB REF. RM FNL

USED ON L F112 & 160

PRODN. QA

MKTG

TITLE: DIMENSION SHEET

KIRLOSKAR ELECTRIC COMPANY LTD. HUBLI-580030 (INDIA)

SCALE NTS

CHECKED STANDARD APPROVED

SHEET ONE OF ONE

32216509