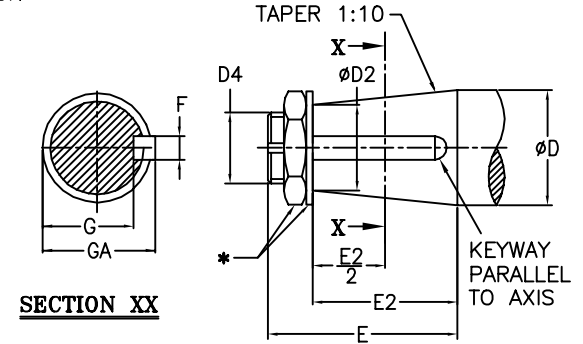
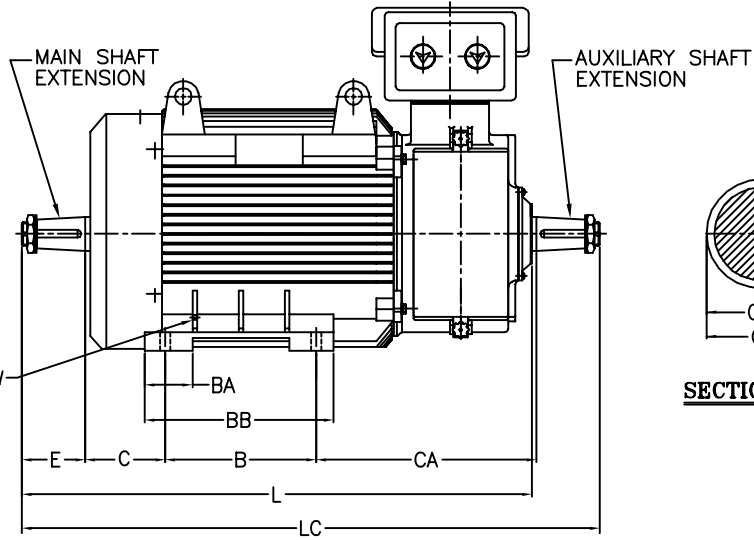
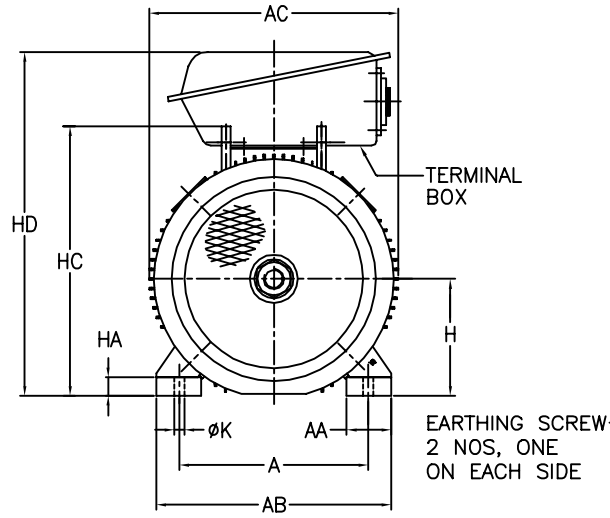


IF IN DOUBT ASK.....**MME**

DO NOT SCALE THE DRAWING

ALL DIMENSIONS ARE IN mm UNLESS OTHERWISE STATED



SHAFT EXTENSION DETAILS

NOTE:-

1. TOLERANCE ON 'H': +0.0 / -1.0
2. DIMENSIONS ARE AS PER IPSS (EXCEPT FOR FRAME: ID355S)
- *3. NUTS AND LOCK WASHERS WILL BE SENT ALONG WITH MOTOR.
4. TERMINAL BOX CAN BE ROTATED THROUGH 360° IN STEPS OF 90°.
5. DEGREE OF PROTECTION IP:55.
6. MAIN AND AUXILIARY SHAFT EXTENSIONS ARE IDENTICAL.

ID355L	610	630	254	100	83.5	M72X4	210	165	25	86.9	100.9	355	28	1715	1935	125	710	200	780	705	631	55	720	1015	2100	2300	2200	930	1225
ID355M	610	560	254	100	83.5	M72X4	210	165	25	86.9	100.9	355	28	1645	1865	125	710	200	710	705	631	55	720	1015	1975	2175	2100	930	1225
ID355S	610	500	254	100	83.5	M72X4	210	165	25	86.9	100.9	355	28	1585	1805	125	710	200	650	705	631	55	720	1015	1850	2050	2050	930	1225
FRAME	A	B	C	D	D2	D4	E	E2	F	G	GA	H	K	L	LC	AA	AB	BA	BB	AC	CA	HA	HC	HD	NETT	GROSS	Ln	Br	Ht
																									WEIGHT IN kg		SHIPPING DIMNS.		

REV.	ZONE	BEARING SIZE DEATILS REMOVED	BRIEF RECORD	SIGNATURE	DATE
R1	A,B-1				08/01/2003
MKTG. AC MOTORS		ALL INFORMATION CONTAINED IN THIS DOCUMENT IS CONFIDENTIAL AND THE PROPERTY OF KIRLOSKAR ELECTRIC CO. LTD. REPRODUCTION OF THESE IN ANY FORM IS TO BE DONE WITH THE SPECIFIC PERMISSION OF THE COMPANY.		DRAWING No.	FROM DT. SIGN & DATE.
PRINTS ISSUED TO		THIS IS SUPERSEDED BY			

CUSTOMER / O/A No.	SCALE	NTS
USED ON / TYPE	CRANE DUTY MOTORS TOP TERMINAL BOX (IM1004)	
TITLE:	DIMENSIONAL DRAWING	

DRAWN	31/08/20
CHECKED	31/08/20
APPROVED	31/08/20
31116197 R 1	
SHEET No. ONE OF ONE	