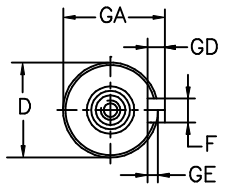
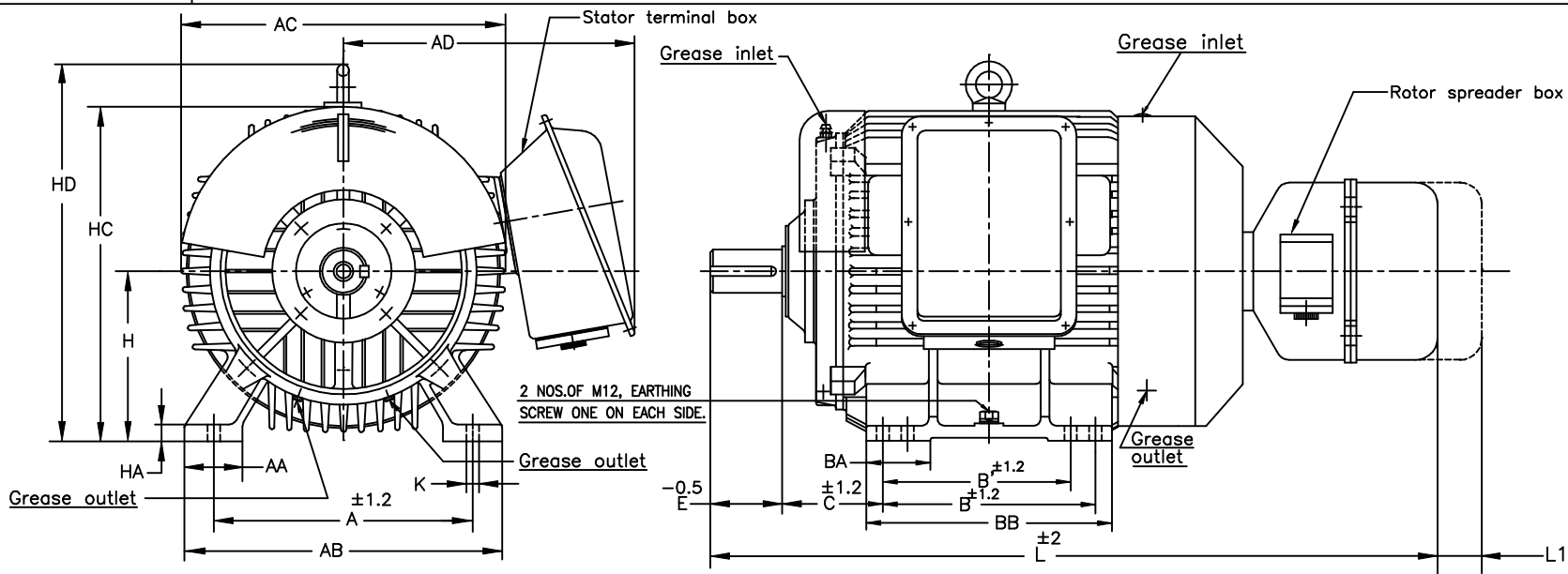


AS PER KSD-02-027

ALL INFORMATION CONTAINED IN THIS DOCUMENT IS CONFIDENTIAL AND THE PROPERTY OF KIRLOSKAR ELECTRIC CO. LTD. REPRODUCTION OF THESE IN ANY FORM IS TO BE DONE WITH THE SPECIFIC PERMISSION OF THE COMPANY.

UNMENTIONED ANGLES ± 1/2°

CHAM:	4000	2000	1000	315	6	315	1000	2000	4000	8000
RAD:	0	6	315	1000	2000	4000	8000	16000	32000	64000
UC:	±0.2	±0.5	±0.8	±1.2	±2	±3	±4	±6	±10	±15
LINEAR DIMENSIONS (MACHINED)	ABOVE UPTO	0	6	315	1000	2000	4000	8000	16000	32000
TOLERANCE	±0.2	±0.5	±0.8	±1.2	±2	±3	±4	±6	±10	±15



DETAILS OF SHAFT EXTENSION

- NOTE:-
- DIMENSIONS ARE AS PER I.S.1231.
 - DEGREE OF PROTECTION: IP:55.
 - TOLERANCE ON H:-FOR 250 $+0.00$ -0.50
FOR 280 $+0.00$ -1.00
 - TOLERANCE ON "D" :- m6.
 - PROTECTED CENTER HOLE "M20x40" DEEP AS PER IS:2540 AT SHAFT EXTENSION.
 - STATOR TERMINAL BOX CAN BE ROTATABLE THROUGH 360° IN STEPS OF 90°

SD280M	4,6&8	457	100	550	580	520	419	-	100	490	190	75	140	20	79.5	12	7.5	280	35	575	660	24	1420	155
SD280S	4,6&8	457	100	550	580	520	368	-	100	439	190	75	140	20	79.5	12	7.5	280	35	575	660	24	1370	155
SD250M	4,6&8	406	90	500	535	500	349	311	125	419	168	65	140	18	69	11	7	250	32	522	605	24	1220	155
FRAME	POLE	A	AA	AB	AC	AD	B	B'	BA	BB	C	D	E	F	GA	GD	GE	H	HA	HC	HD	K	L	L1

8211086000JK

THIS SUPERSEDES FROM dt SIGN & dt

THIS SUPERSEDED BY FROM dt SIGN & dt

MATERIAL SPECIFICATION	RAW MATERIAL SIZE	WEIGHT kg	
		RM	FIN.
-	-	-	-

CASTING/FAB REF. - No.P.S. -

USED ON

SD 250 & 280

TITLE: **DIMENSIONAL DRAWING**

SCALE: NTS

DRAWN	CHECKED	APPROVED
-Sd-	-Sd-	-Sd-
dt. 97/04/29	dt. 97/04/29	dt. 97/04/29

SHEET NO. **ONE** OF **ONE**

31108697

KIRLOSKAR ELECTRIC COMPANY LTD. BANGALORE - 560055 (INDIA)

REV.	ZONE	BRIEF RECORD	SIGNATURE	DATE	SHOP II	PRINTS ISSUED TO
8	7	6	5		MKTG.AC M/C.	

FORM No. 11401033