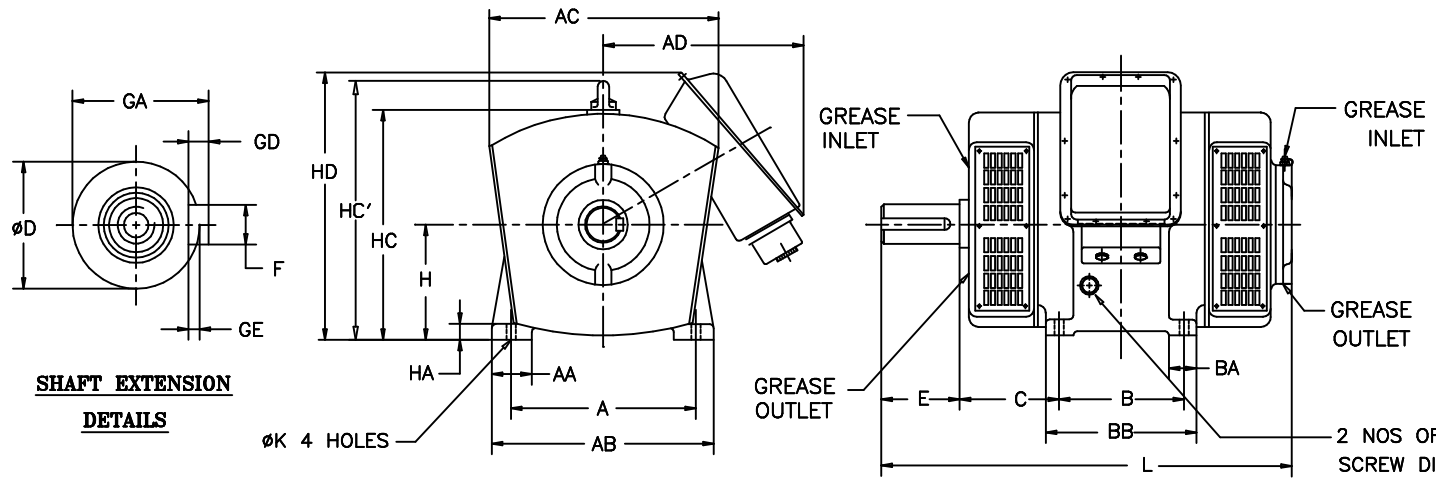


DO NOT SCALE THE DRAWING ALL DIMENSIONS ARE IN mm UNLESS OTHERWISE STATED REMOVE ALL BURRS AND SHARP EDGES

AS PER KSD-02-027

RD (IT)	0.025	0.05	0.1	0.2	0.4	0.6	0.8	1.6	3.2	6.3	12.5	25	50
SURFACE ROUGHNESS (MAXIMUM)													
NEW													

- NOTE:-**
- DIMENSIONS ARE AS PER IS:1231
 - DEGREE OF PROTECTION IP:22, (IP:23 CAN BE GIVEN AS AN OPTION)
 - TOLERANCE ON H: $+0.00$
 -1.00
 - TOLERANCE ON D: m6
 - PROTECTED CENTRE HOLE
M20 x 40 DEEP FOR "D" 70
AND M24 x 50 DEEP FOR "D" 90
AS PER IS:2540 AT SHAFT EXTENSION.



ALL INFORMATION CONTAINED IN THIS DOCUMENT IS CONFIDENTIAL AND THE PROPERTY OF KIRLOSKAR ELECTRIC CO. LTD. REPRODUCTION OF THESE IN ANY FORM IS TO BE DONE WITH THE SPECIFIC PERMISSION OF THE COMPANY.

SA 315L	2	508	110	620	730	690	508	120	590	216	70	140	20	74.5	12	7.5	315	32	-	755	810	28	1235
SA 315M	4, 6, & 8	508	110	620	730	690	457	120	540	216	90	170	25	95	14	9	315	32	630	-	810	28	1125
SA 315M	2	508	110	620	730	690	457	120	540	216	70	140	20	74.5	12	7.5	315	32	630	-	810	28	1095
SA 315S	4, 6, & 8	508	110	620	730	690	406	120	490	216	90	170	25	95	14	9	315	32	630	-	810	28	1075
SA 315S	2	508	110	620	730	690	406	120	490	216	70	140	20	74.5	12	7.5	315	32	630	-	810	28	1045
FRAME	POLE	A	AA	AB	AC	AD	B	BA	BB	C	D	E	F	GA	GD	GE	H	HA	HC	HC'	HD	K	L

UNMENTIONED

ANGLES ± 1/2°	RAD:	UC:	CHAM:
ABOVE	0	6	4000
UPTO	6	315	2000
TOLERANCE	±0.2	±0.5	±1.2

REV.	ZONE	BRIEF RECORD	SIGNATURE	DATE	PP&MM SH II
8	7	6	5		

THIS SUPERSEDES _____ FROM dt _____ SIGN & dt _____

THIS SUPERSEDED BY _____ FROM dt _____ SIGN & dt _____

MATERIAL SPECIFICATION	RAW MATERIAL SIZE	WEIGHT kg
		RM FIN

CRISTING/FAB REF. _____ No.P.S.: 1

USED ON

SA 315

TITLE: DIMENSIONAL DRAWING

31101706

SCALE **NAT S.**

DRAWN Sd/SUMAN CHECKED Sd/BRJ APPROVED Sd/HCR

dt:17/03/06 dt:17/03/06 dt:17/03/06

SHEET NO. ONE OF ONE

KIRLOSKAR ELECTRIC COMPANY LTD. BANGALORE - 560055 (INDIA)

FORM No. 11401033